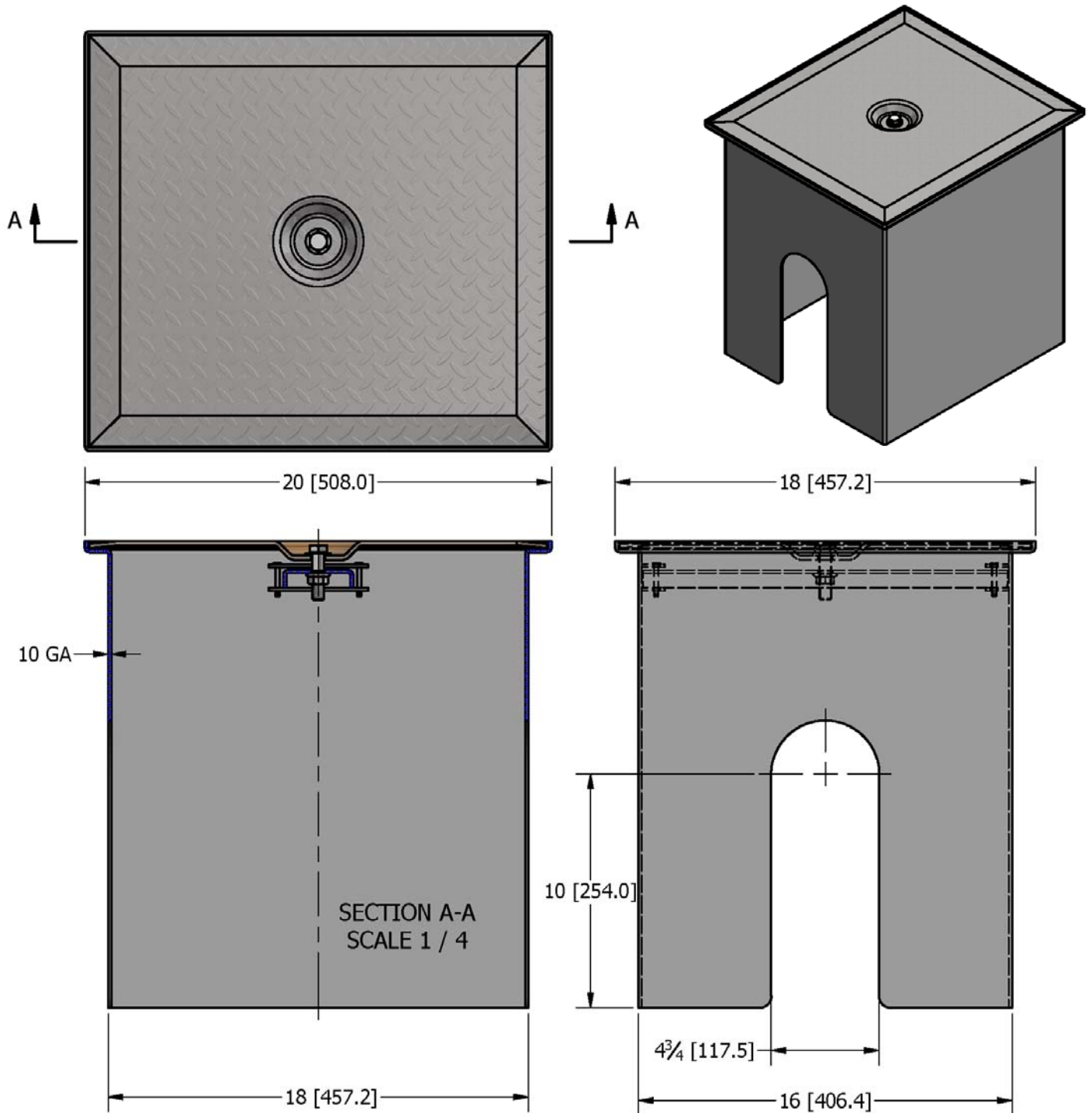


### 4200-FH Access Housing

Project	Engineer	Mechanical
---------	----------	------------



**Regularly Furnished:** 10GA fabricated steel access housing with 7GA tread plate gasketed cover, removable cross bar, ArmorCoat coating and piping cutout. Typically used with Wade 4200 Series Backwater Valve.

Suffix Options		
Suffix	Description	
-39	Galvanized	•