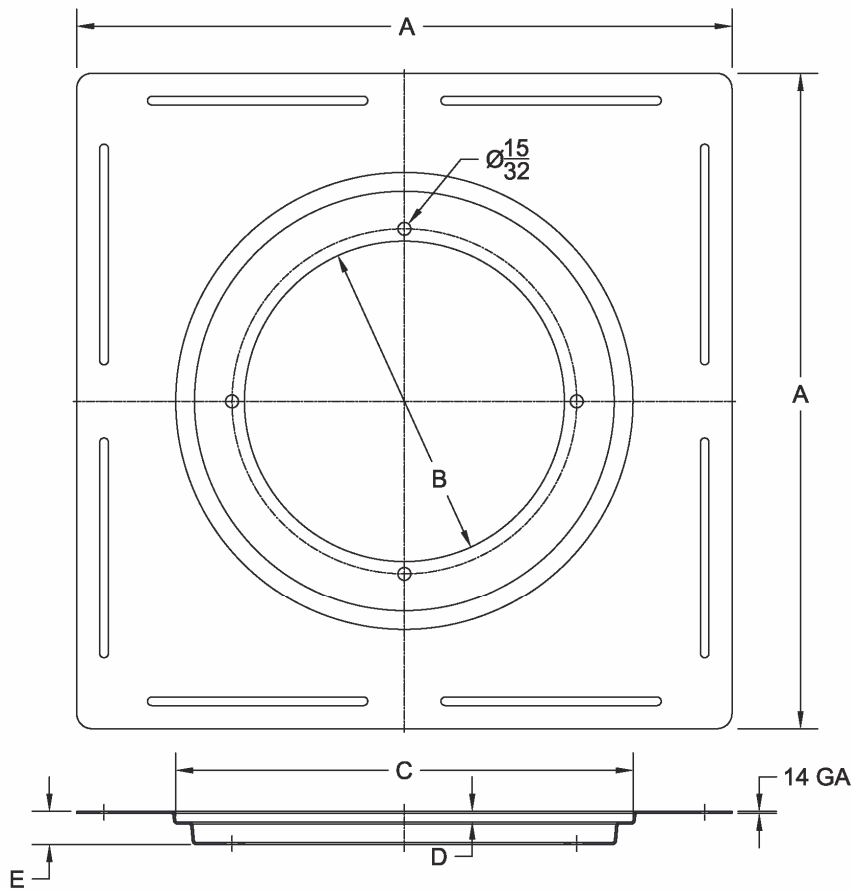
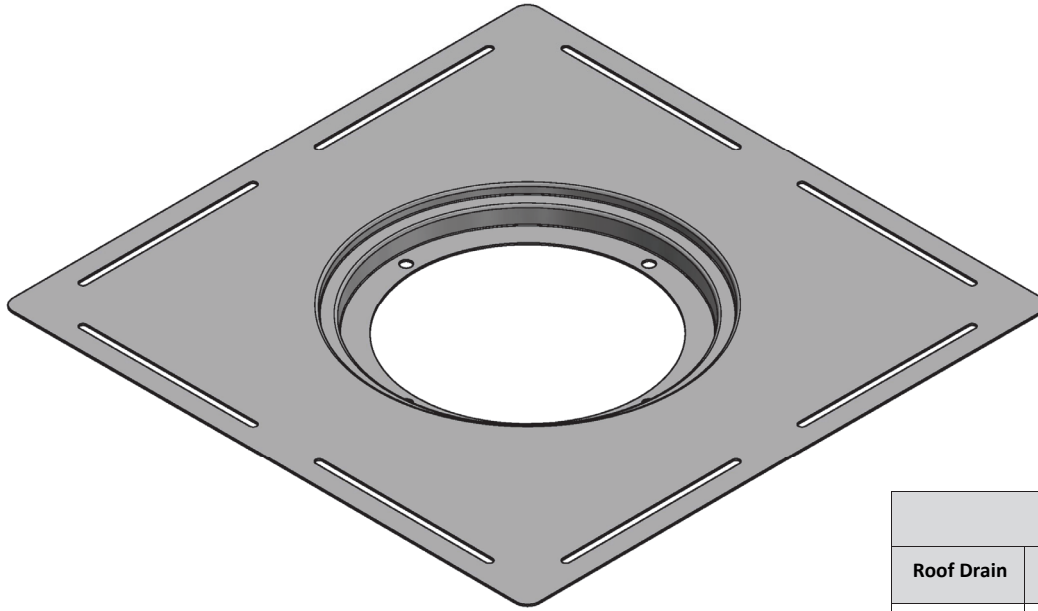


-52 & -189 Roof Drain Bearing Pan (Sump Receiver)


Dimensions (In.)					
Roof Drain	A x A	B	C	D	E
3000	24	11-3/4	16-3/4	3/8	1-1/4
3001	27	16-1/16	19-5/8	3/8	1-3/8
3007	24	11-3/4	16-3/4	3/8	1-1/4
3011	24	10-3/16	13-1/2	3/8	1-1/4
3012	16	7-3/8	10	1/4	1-3/8
3046 (3-4")	24	11-3/4	16-3/4	3/8	1-1/4
3046 (6")	27	16-1/16	19-5/8	3/8	1-3/8
3061	24	11-3/4	16-3/4	3/8	1-1/4
3062	24	10-3/16	13-1/2	3/8	1-1/4
3063	16	7-3/8	10	1/4	1-3/8
3101	24	11-3/4	16-3/4	3/8	1-1/4
3105	24	11-3/4	16-3/4	3/8	1-1/4
3111	24	10-3/16	13-1/2	3/8	1-1/4
3115	24	10-3/16	13-1/2	3/8	1-1/4
3119	27	16-1/16	19-5/8	3/8	1-3/8
3121	16	7-3/8	10	1/4	1-3/8
3350	24	11-3/4	16-3/4	3/8	1-1/4
3351	24	11-3/4	16-3/4	3/8	1-1/4
3352	24	11-3/4	16-3/4	3/8	1-1/4
3353	24	11-3/4	16-3/4	3/8	1-1/4
3354	24	11-3/4	16-3/4	3/8	1-1/4
3355	24	11-3/4	16-3/4	3/8	1-1/4
3356	24	11-3/4	16-3/4	3/8	1-1/4
3357	24	11-3/4	16-3/4	3/8	1-1/4
3358	16	7-3/8	10	1/4	1-3/8
3359	12	6-1/2	7-1/4	1/4	-
3600 (2-5")	16	7-3/8	10	1/4	1-3/8
3600 (6-8")	24	10-3/16	13-1/2	3/8	1-1/4

Suffix (-52) Bearing Pan (Sump Receiver) is a square metal pan with a recessed center opening to accept a roof drain body. The recess places the top surface of the drain flush with the roof deck to prevent ponding around the drain. The wide surface of the bearing pan allows for easier installations as the hole required to accept a drain body does not need to be precise.

Suffix (-189) Bearing Pan is identical to the (-52) but includes hardware to secure the drain body to the pan.