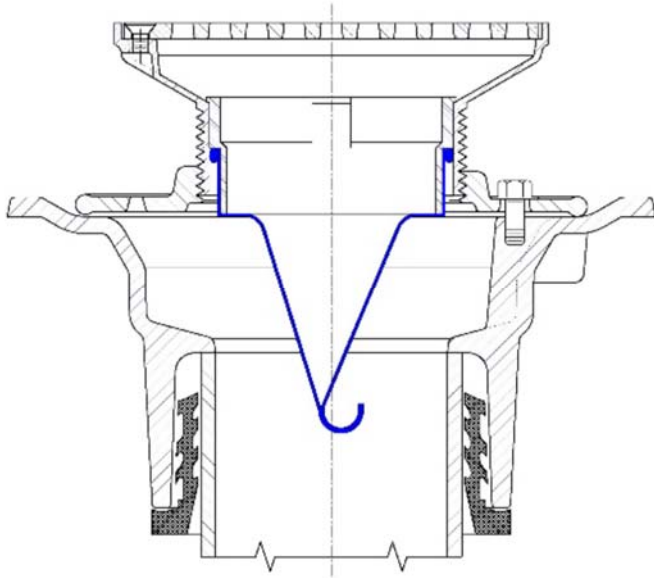


4405 Trap Seal Device

Project		Engineer		Mechanical	
---------	--	----------	--	------------	--

Regularly Furnished: Elastomeric trap seal device with fitting for internal tailpiece or pipe installation.



4405	•
2",3",4"	



4405-3TP

Connection Variations		
Type	Designation	•
-2PVC	Fits Inside 2" Sch.40 PVC/ABS Pipe	
-2CI	Fits Inside 2" Cast Iron Soil Pipe	
-3PVC	Fits Inside 3" Sch.40 PVC/ABS Pipe	
-3CI	Fits Inside 3" Cast Iron Soil Pipe	
-4PVC	Fits Inside 4" Sch.40 PVC/ABS Pipe	
-4CI	Fits Inside 4" Cast Iron Soil Pipe	
-3TP	Fits Inside 3" Strainer Shank (1100 Series)	
-4TP	Fits Inside 4" Strainer Shank (1000 Series)	
-2G	Fits Thru 2" Push-On Into Inside of Pipe	
-3G	Fits Thru 3" Push-On Into Inside of Pipe	
-4G	Fits Thru 4" Push-On Into Inside of Pipe	

The Trap Guard has been tested in accordance with the ASSE 1072 test standard for ANSI/ASME A112.6.3 drains and by Warnock Hersey for the CSA B79 General Purpose Drains. It was evaluated by the ICC Evaluation Service and listed under ICC-ES-PMG Listing 1091.