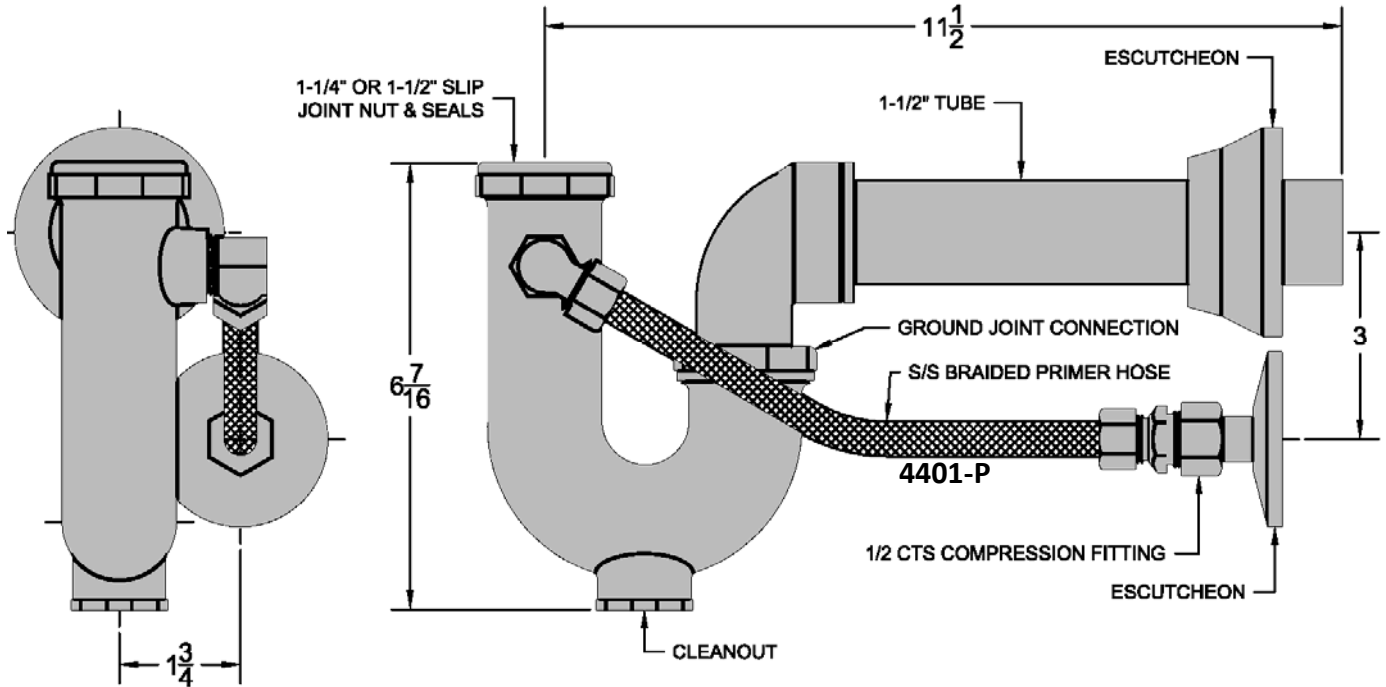


4401 Trap Primer (Replaces 2400-M, 2400-P)

Project	Engineer	Mechanical
---------	----------	------------

Regularly Furnished: Polished chrome plated bronze p-trap with stainless steel braided trap primer tube.



Pipe Size	•
1-1/4"X1-1/2"	

Connection Variations		
Type	Designation	•
(-M) Slip Joint	114X112SJ	
(-P) Threaded	114X112IPS	

