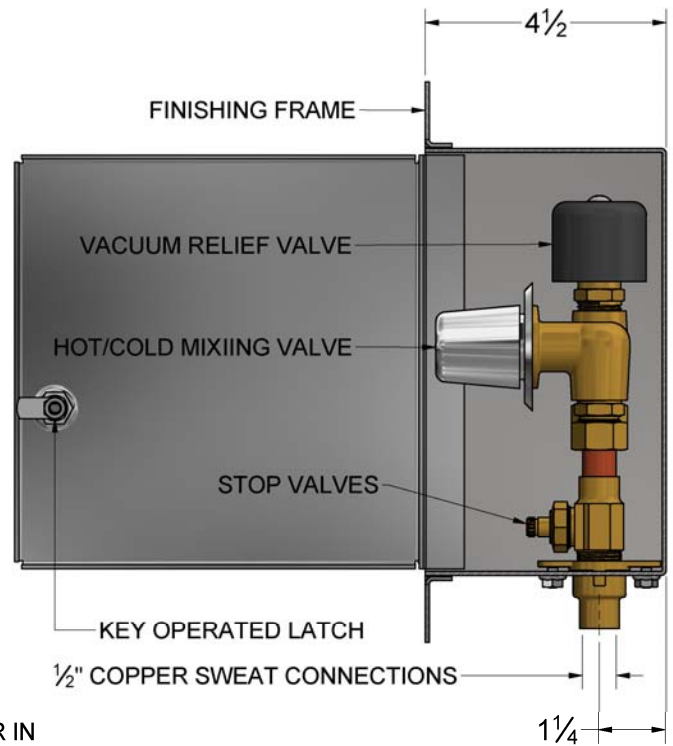
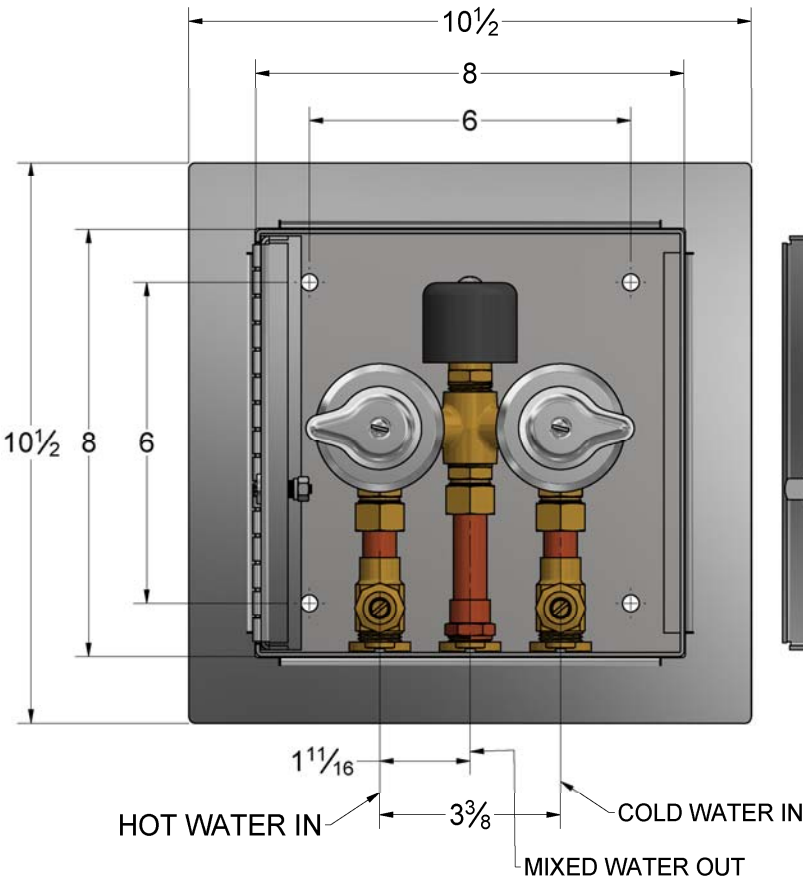
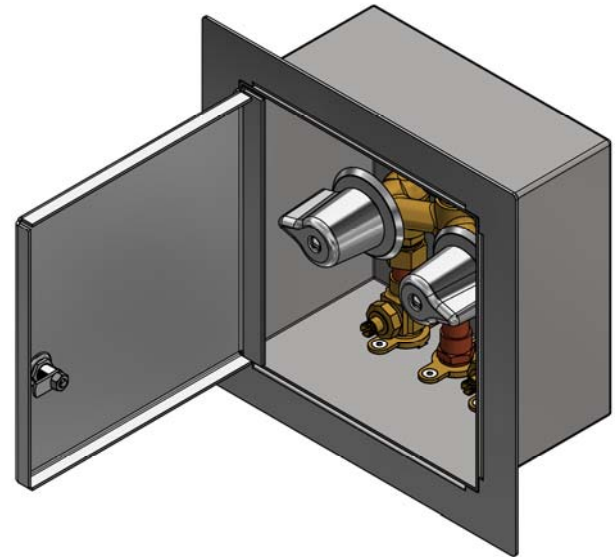


**4440** Water Control Box (Replaces 2440)

Project		Engineer		Mechanical	
---------	--	----------	--	------------	--



**Regularly Furnished:** Flush mounted stainless steel remote water supply box with hot & cold water shut off valves, screwdriver stops, vacuum relief valve, hinged cover with cylinder lock, & 1/2 copper sweat connections.

Pipe Size	
1/2"	•

Suffix Options		
Suffix	Description	
-LMV	Less mixing valve assembly (box only)	•