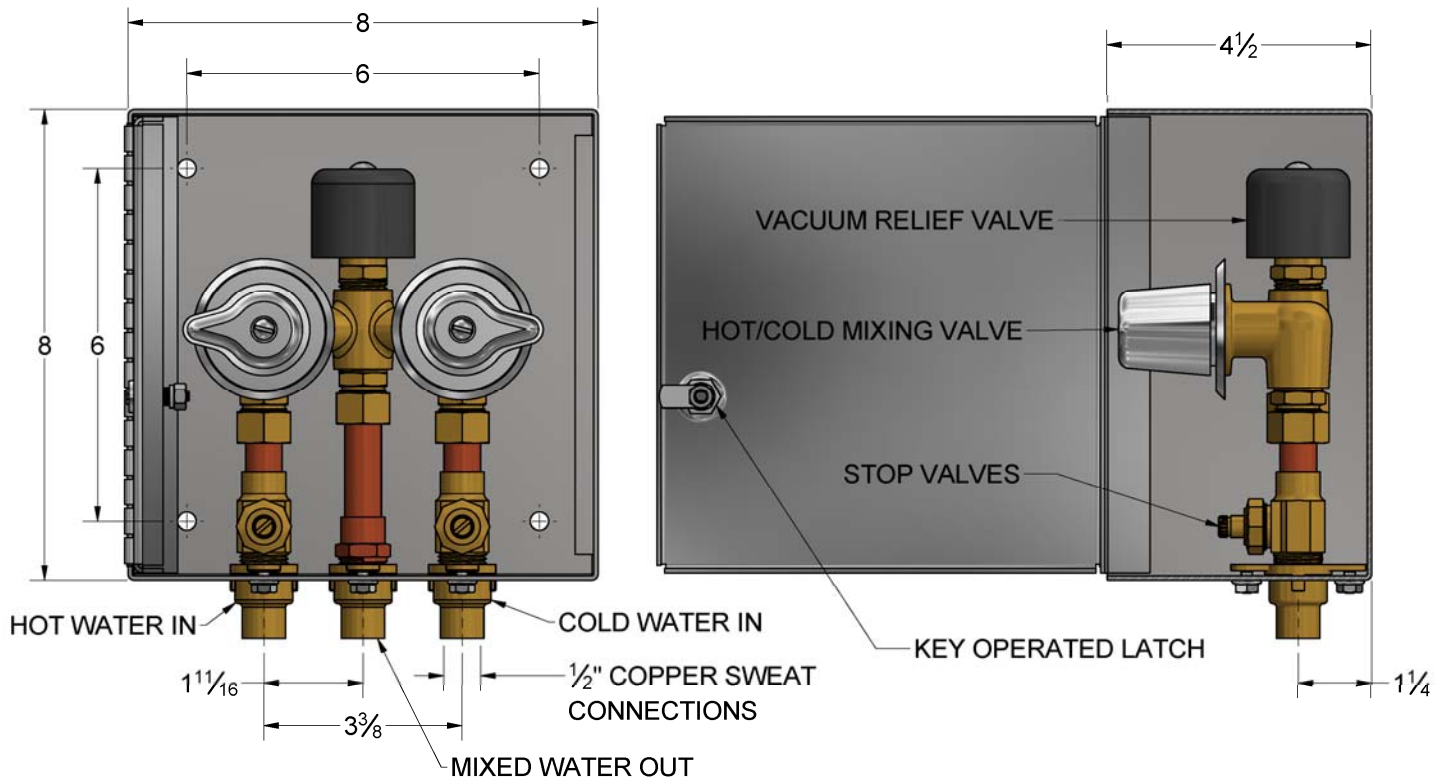
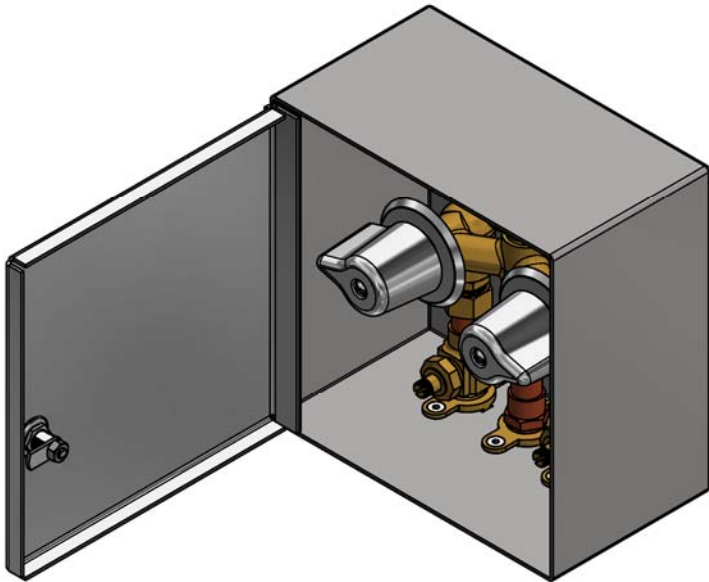


4440 Water Control Box (Replaces 2440)

| | | |
|---------|----------|------------|
| Project | Engineer | Mechanical |
|---------|----------|------------|



Regularly Furnished: Surface mounted stainless steel remote water supply box with hot & cold water shut off valves, screwdriver stops, vacuum relief valve, hinged cover with cylinder lock, & 1/2 copper sweat connections.

| Pipe Size | |
|-----------|---|
| 1/2" | • |

| Suffix Options | | |
|----------------|---------------------------------------|---|
| Suffix | Description | |
| -LMV | Less mixing valve assembly (box only) | • |