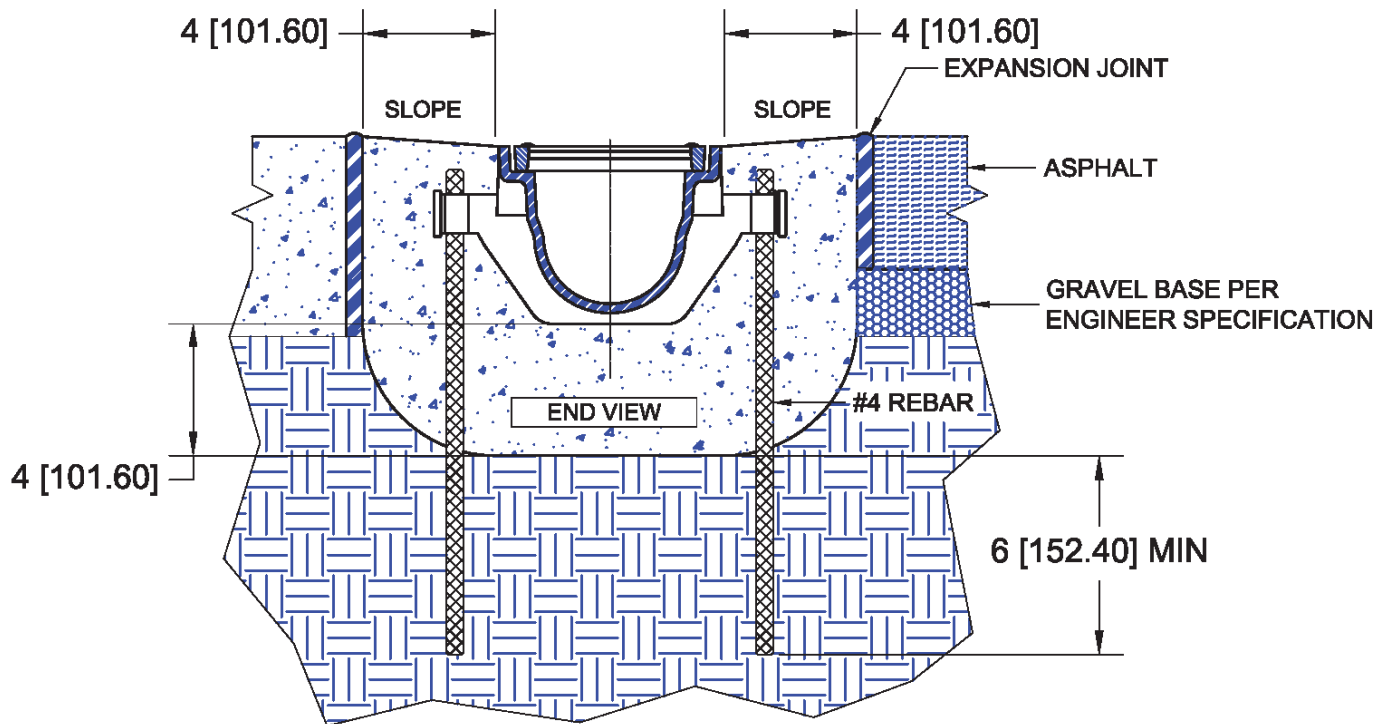
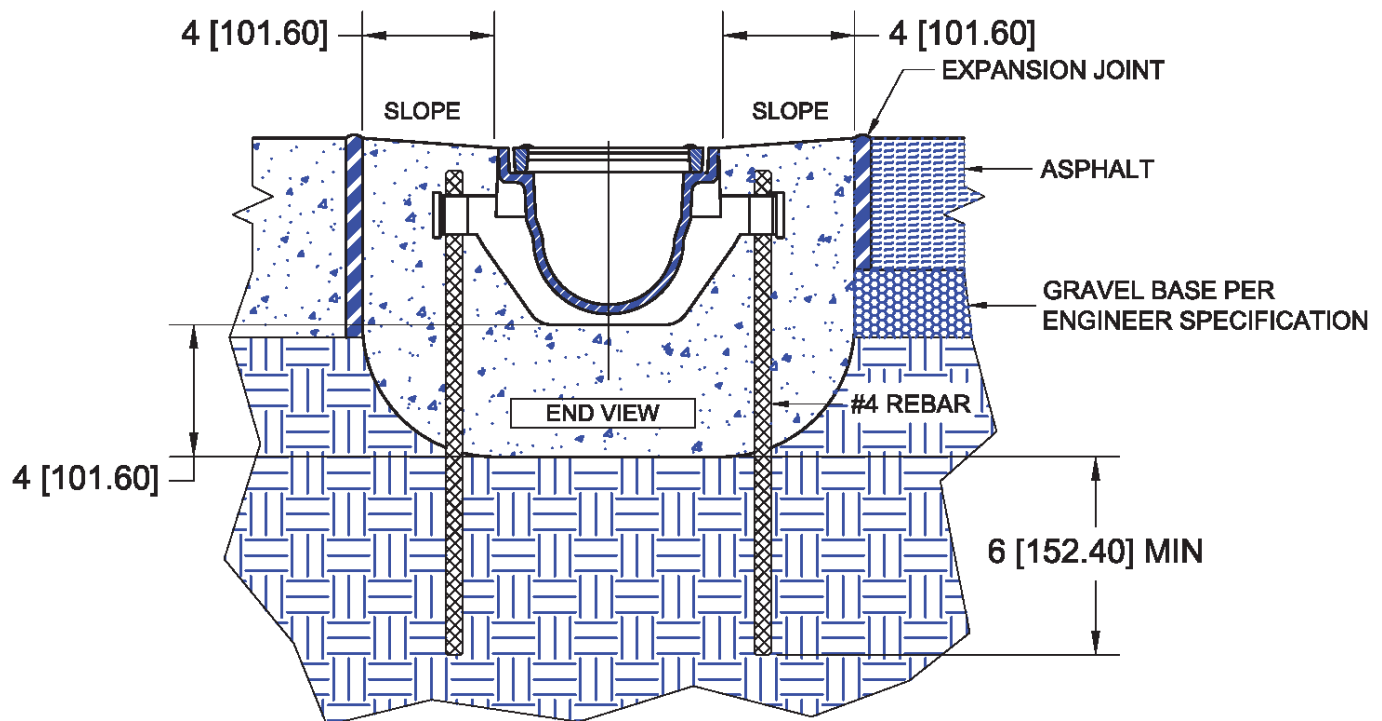


Load Class Installation

CLASS A
2,500 PSI CONCRETE (MINIMUM)



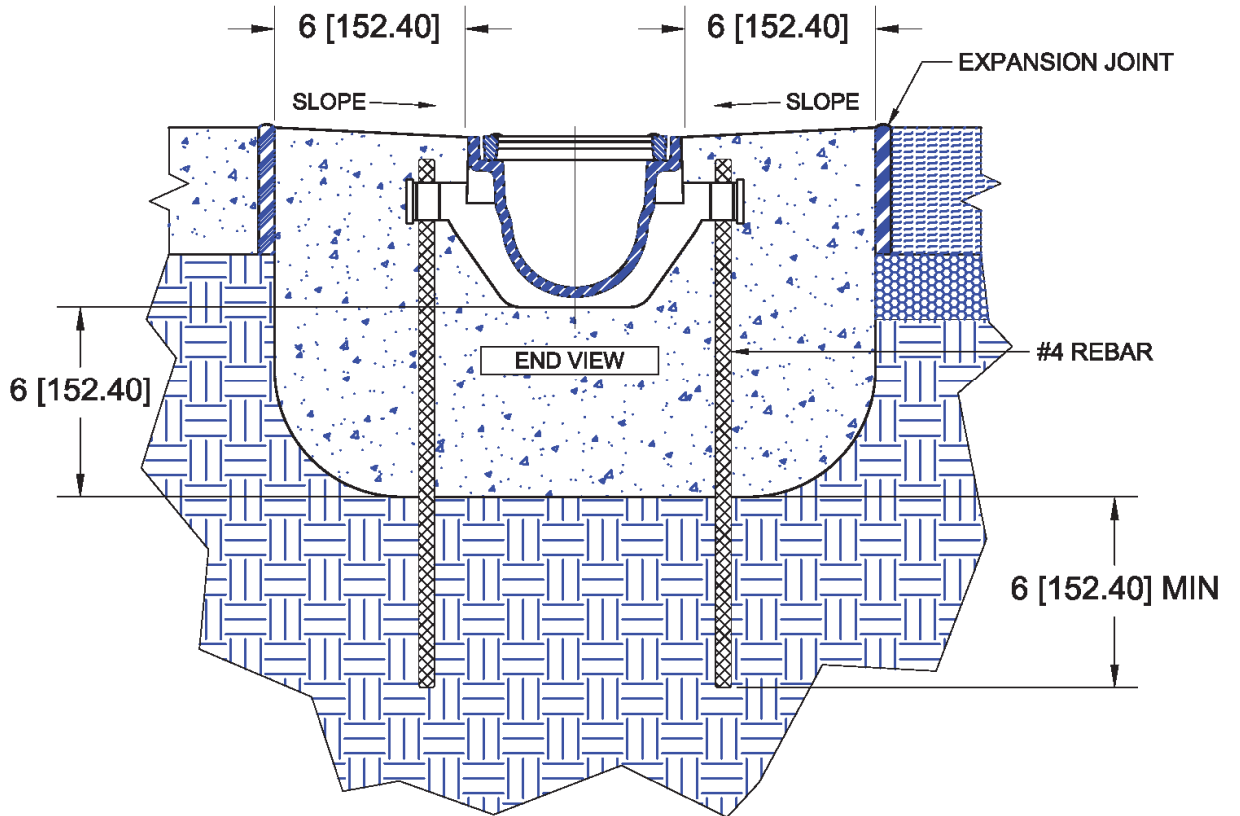
CLASS B
3,000 PSI CONCRETE (MINIMUM)



Load Class Installation

CLASS C

3,500 PSI CONCRETE (MINIMUM)



CLASS D

3,500 PSI CONCRETE (MINIMUM)

