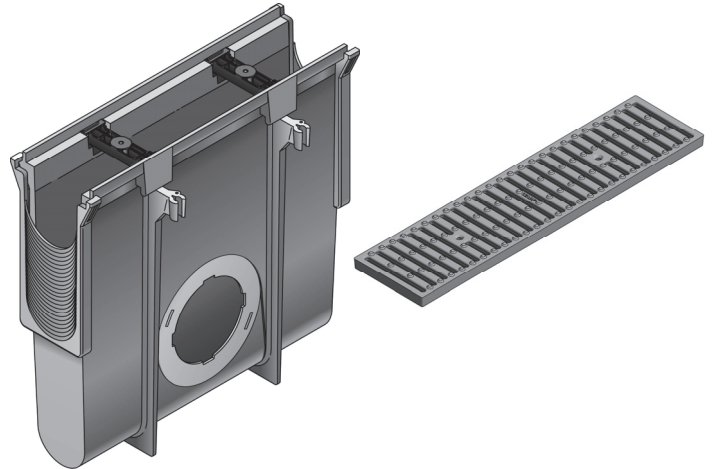


WN-940-HDP 6" Wide HDPE Modular Trench Drainage System

Catch Basin	Length	•
090N thru 114	24 Inches (609.6)	

Regularly Furnished: 6" wide High density polyethylene modular trench drain catch basin with 4" wide throat, radius bottom, interlocking ends, rebar saddles, lock devices, blank grate insert and painted ductile iron slotted grates.

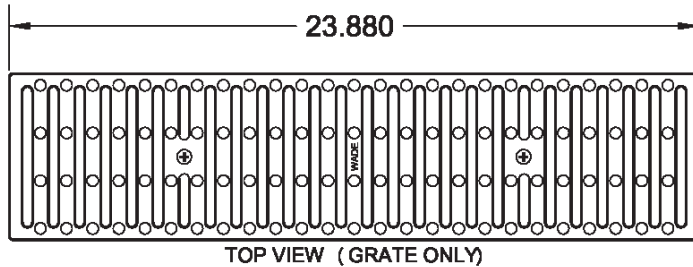
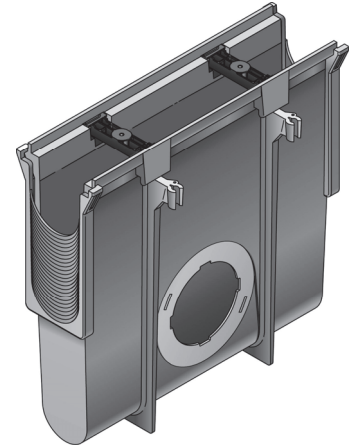


Ductile Iron Grate Options				
Suffix	Description	Finish	Class	•
-HDP	Slotted	Painted	C	
-HDG	Slotted	Galvanized	C	
-HPP	ADA Heel Proof	Painted	C	
-HPG	ADA Heel Proof	Galvanized	C	
-DCP	Circular Slots	Painted	A	
-DCG	Circular Slots	Galvanized	A	
-DDP	Diagonal Slots	Painted	A	
-DDG	Diagonal Slots	Galvanized	A	
-DEP	Slotted	Painted	E	
-DEG	Slotted	Galvanized	E	
-DBP	Bar Grate	Painted	C	
-DBG	Bar Grate	Galvanized	C	
-DMP	Solid Cover	Painted	D	
-DMG	Solid Cover	Galvanized	D	
-DRP	Wide Slot	Painted	D	
-DRG	Wide Slot	Galvanized	D	
-DXP	Slotted	Painted	E	
-DXG	Slotted	Galvanized	E	
-DZP	Square Pattern	Painted	A	
-DZG	Square Pattern	Galvanized	A	
-XLP	Slotted w/ Frame	Painted	F	
-XLG	Slotted w/ Frame	Galvanized	F	
Galvanized Carbon Steel Grate Options				
-CSG	Slotted	Galvanized	A	
-CPG	Slotted Reinforced	Galvanized	C	
-FPG	Perforated	Galvanized	A	
-RSG	Reinforced Perforated	Galvanized	C	
Polyolefin (Plastic) Grate Options				
-PWW	Slotted	White	B	
-PBD	Slotted	Dark Gray	B	
-PSG	Slotted	Gray	B	
-PGG	Slotted	Green	B	
-PBB	Slotted	Black	B	
-PSA	Slotted	Sand	B	
-PBR	Slotted	Brick Red	B	
-PPG	Perforated	Gray	B	
-PPW	Perforated	White	B	

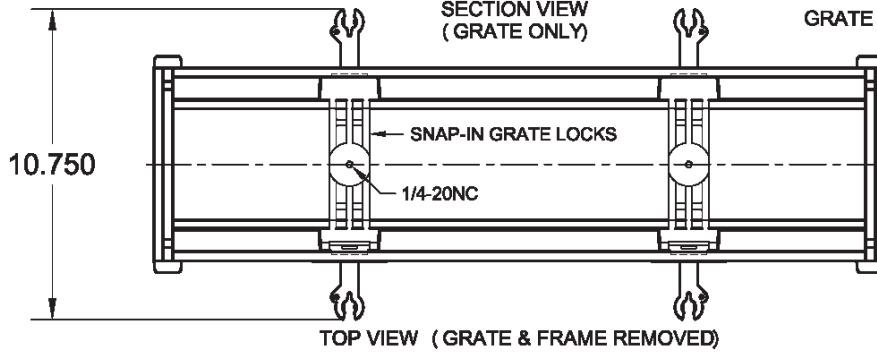
Stainless Grate Options				
Suffix	Description	Finish	Class	•
-SBS	Cast Bar Grate	Satin	C	
-SDS	Slotted	Satin	A	
-SPS	Perforated	Satin	A	
-SFS	Slotted Reinforced	Satin	C	
-SHS	Square Hole	Satin	A	
-SRS	Perforated Reinforced	Satin	C	
-SSS	ADA Cast Slotted	Satin	B	
-SMS	Solid Cover	Satin	A	
-SNS	Reinforced Solid Cover	Satin	C	
-SPP	D.I. w. S/S Veneer	Painted	C	
-SPG	D.I. w/ S/S Veneer	Galvanized	C	
Nickel Bronze Grate Options				
-BBK	ADA Heel Proof	Satin	A	
-BCK	Square Pattern	Satin	A	
-BDK	Diagonal Pattern	Satin	A	
Frame Options				
-CLP	A.R.C. Coated Carbon Steel			
-CLG	Galvanized Carbon Steel			
-SLS	Stainless Steel			
-DLP	A.R. Coated Ductile Iron			
-DLG	Galvanized Ductile Iron			
Outlet Options				
-OUO	Offset Universal Outlet (3" & 4")			
-SUO	Straight Universal Outlet (3" & 4")			
-UO	Universal Outlet Adapter (6" & 8")			
Suffix Options				
-UEP	Universal End Plate			
-USP	End Plate w/ Side Outlet (4")			
-VP	Vandal Proof Screws			
-GTB	Galvanized Trash Basket			

WN-940-HDP 6" Wide HDPE Modular Trench Catch Basin

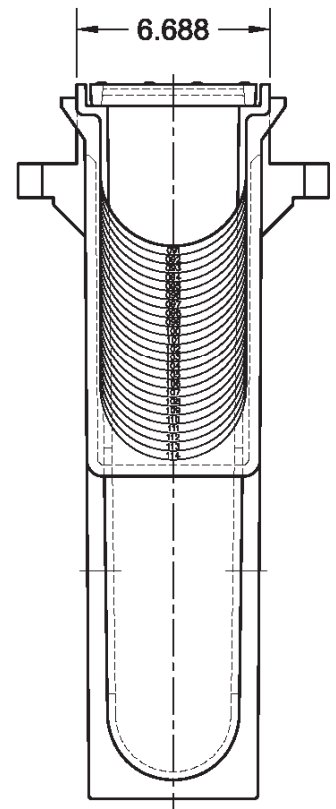
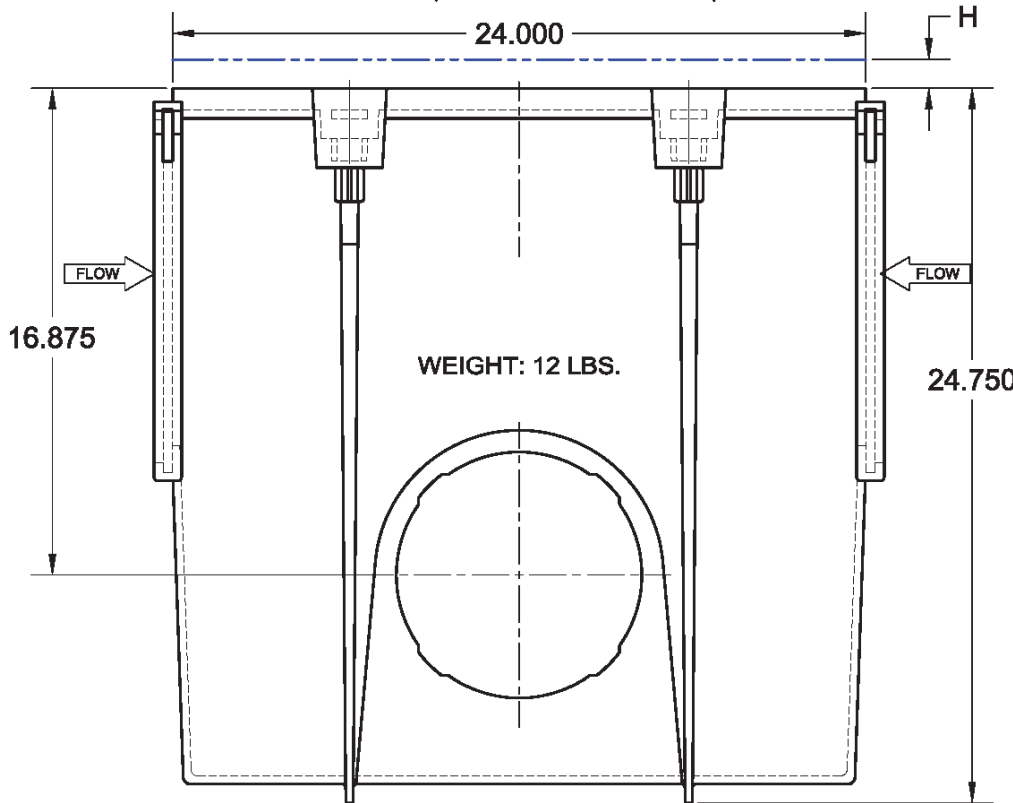
Regularly Furnished: 6" wide High density polyethylene modular trench drain catch basin with 4" wide throat, radius bottom, interlocking ends, rebar saddles, lock devices, blank grate inserts and painted ductile iron slotted grates.



GRATE FREE AREA = 43.4 SQ.IN (EACH)



'H' - Add for Frames:
 1.00" for Ductile Iron Frame
 0.08" for Steel Frame
 0.06" for Stainless Steel Frame



CATCH BASIN IS FURNISHED WITH TWO OUTLET CONNECTIONS (ONE EACH SIDE) ONE TWIST LOCK PLUG PROVIDED. TWIST LOCK OUTLET ADAPTERS ARE OPTIONAL.