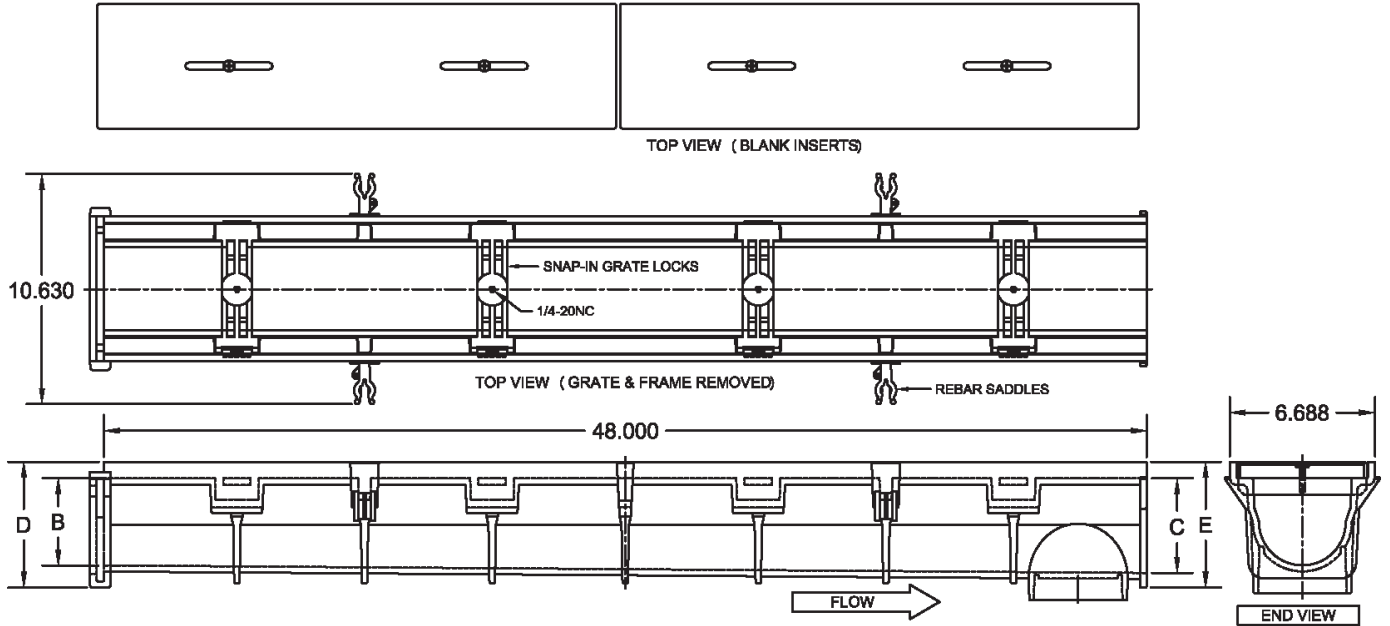


WN-900 6" Wide HDPE Modular Trench Drainage System

Regularly Furnished: 6" wide High density polyethylene modular trench drain with 4" wide throat, radius bottom, interlocking ends, rebar saddles, lock devices, blank grate inserts and grates as specified.

Project		Engineer		Mechanical	
---------	--	----------	--	------------	--



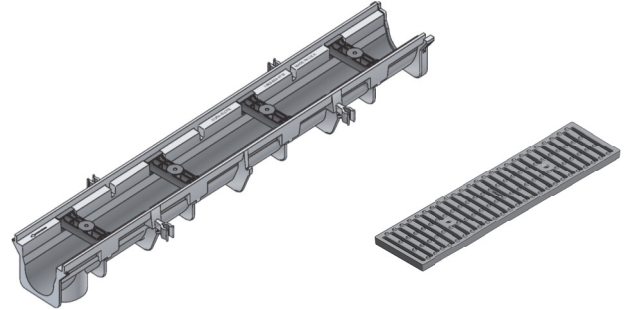
Note: Custom Lengths are Available to Establish Specific Overall Trench Assemblies i.e. If 47 Ft. sloped bottom trench is specified, Eleven 4FT standard sections would be provided and one 3FT custom cut section. Custom Cut Sections are Extra Charge.

●	Catalog Number	Flow Rate		Dimensions In (mm)		●	Catalog Number	Flow Rate		Dimensions In (mm)	
		GPM	LPM	B	C			GPM	LPM	B	C
	090N	75	284	3.998 (102)	3.998 (102)		103	243	920	8.030 (203)	8.366 (212)
	091	75	284	3.998 (102)	4.334 (110)		103N	257	973	8.366 (212)	8.366 (212)
	091N	89	337	4.334 (110)	4.344 (110)		104	257	973	8.366 (212)	8.702 (221)
	092	89	337	4.334 (110)	4.670 (119)		105	271	1026	8.702 (221)	9.038 (230)
	093	103	390	4.670 (119)	5.006 (127)		106	285	1079	9.038 (230)	9.374 (238)
	094	117	443	5.006 (127)	5.342 (136)		106N	299	1132	9.374 (238)	9.374 (238)
	094N	131	496	5.342 (136)	5.342 (136)		107	299	1132	9.374 (238)	9.710 (247)
	095	131	496	5.342 (136)	5.678 (144)		108	313	1185	9.710 (247)	10.046 (255)
	096	145	549	5.678 (144)	6.014 (153)		109	327	1238	10.046 (255)	10.382 (264)
	097	159	602	6.014 (153)	6.350 (161)		109N	341	1291	10.382 (264)	10.382 (264)
	097N	173	655	6.350 (161)	6.350 (161)		110	341	1291	10.382 (264)	10.718 (272)
	098	173	655	6.350 (161)	6.868 (174)		111	355	1344	10.718 (272)	11.054 (281)
	099	187	708	6.686 (174)	7.022 (178)		112	368	1393	11.054 (281)	11.390 (289)
	100	201	761	7.022 (178)	7.358 (187)		112N	382	1446	11.390 (289)	11.390 (289)
	100N	215	814	7.358 (187)	7.358 (187)		113	382	1446	11.390 (289)	11.726 (298)
	101	215	814	7.358 (187)	7.694 (195)		114	396	1499	11.276 (298)	12.062 (306)
	102	229	867	7.694 (195)	8.030 (204)						

WN-900 6" Wide HDPE Modular Trench Drainage System

Channel No.	Channel Length
090N thru 114	48 Inches (1219.2)

Regularly Furnished: 6" wide High density polyethylene modular trench drain with 4" wide throat, radius bottom, interlocking ends, rebar saddles, lock devices, blank grate insert and painted ductile iron slotted grates.



Ductile Iron Grate Options				
Suffix	Description	Finish	Class	•
-HDP	Slotted	Painted	C	
-HDG	Slotted	Galvanized	C	
-HPP	ADA Heel Proof	Painted	C	
-HPG	ADA Heel Proof	Galvanized	C	
-DCP	Circular Slots	Painted	A	
-DCG	Circular Slots	Galvanized	A	
-DDP	Diagonal Slots	Painted	A	
-DDG	Diagonal Slots	Galvanized	A	
-DEP	Slotted	Painted	E	
-DEG	Slotted	Galvanized	E	
-DBP	Bar Grate	Painted	C	
-DBG	Bar Grate	Galvanized	C	
-DMP	Solid Cover	Painted	D	
-DMG	Solid Cover	Galvanized	D	
-DRP	Wide Slot	Painted	D	
-DRG	Wide Slot	Galvanized	D	
-DXP	Slotted	Painted	E	
-DXG	Slotted	Galvanized	E	
-DZP	Square Pattern	Painted	A	
-DZG	Square Pattern	Galvanized	A	
-XLP	Slotted w/ Frame	Painted	F	
-XLG	Slotted w/ Frame	Galvanized	F	
Galvanized Carbon Steel Grate Options				
-CSG	Slotted	Galvanized	A	
-CPG	Slotted Reinforced	Galvanized	C	
-FPG	Perforated	Galvanized	A	
-RSG	Reinforced Perforated	Galvanized	C	
Polyolefin (Plastic) Grate Options				
-PWW	Slotted	White	B	
-PBD	Slotted	Dark Gray	B	
-PSG	Slotted	Gray	B	
-PGG	Slotted	Green	B	
-PBB	Slotted	Black	B	
-PSA	Slotted	Sand	B	
-PBR	Slotted	Brick Red	B	
-PPG	Perforated	Gray	B	
-PPW	Perforated	White	B	

Stainless Grate Options				
Suffix	Description	Finish	Class	•
-SBS	Cast Bar Grate	Satin	C	
-SDS	Slotted	Satin	A	
-SPS	Perforated	Satin	A	
-SFS	Slotted Reinforced	Satin	C	
-SHS	Square Hole	Satin	A	
-SRS	Perforated Reinforced	Satin	C	
-SSS	ADA Cast Slotted	Satin	B	
-SMS	Solid Cover	Satin	A	
-SNS	Reinforced Solid Cover	Satin	C	
-SPP	D.I. w. S/S Veneer	Painted	C	
-SPG	D.I. w/ S/S Veneer	Galvanized	C	
Nickel Bronze Grate Options				
-BBK	ADA Heel Proof	Satin	A	
-BCK	Square Pattern	Satin	A	
-BDK	Diagonal Pattern	Satin	A	
Frame Options				
-CLP	A.R.C. Coated Carbon Steel			
-CLG	Galvanized Carbon Steel			
-SLS	Stainless Steel with Anchors			
-SVS	Stainless Steel without Anchors			
-DLP	A.R. Coated Ductile Iron			
-DLG	Galvanized Ductile Iron			
Outlet Options				
-NH	No-Hub Coupling (4", 4x3", 4x2" & 6x4")			
-PA	PVC Adapter (4", 4x3", 4x2" & 6x4")			
Suffix Options				
-UEP	Universal End Plate (Per/Each)			
-USP	End Plate w/ Side Outlet (4") Per/Each			
-VP	Vandal Proof Screws (Add/Ft.)			
-27	Sediment Bucket (Fits in Outlet) Add/Each			
Fabrications Options				
-45	45 Degree Section			
-90	90 Degree Section			
-TEE	Tee Section			