

# SQUARE FLOOR SINK



Approval Date

Customer Approval

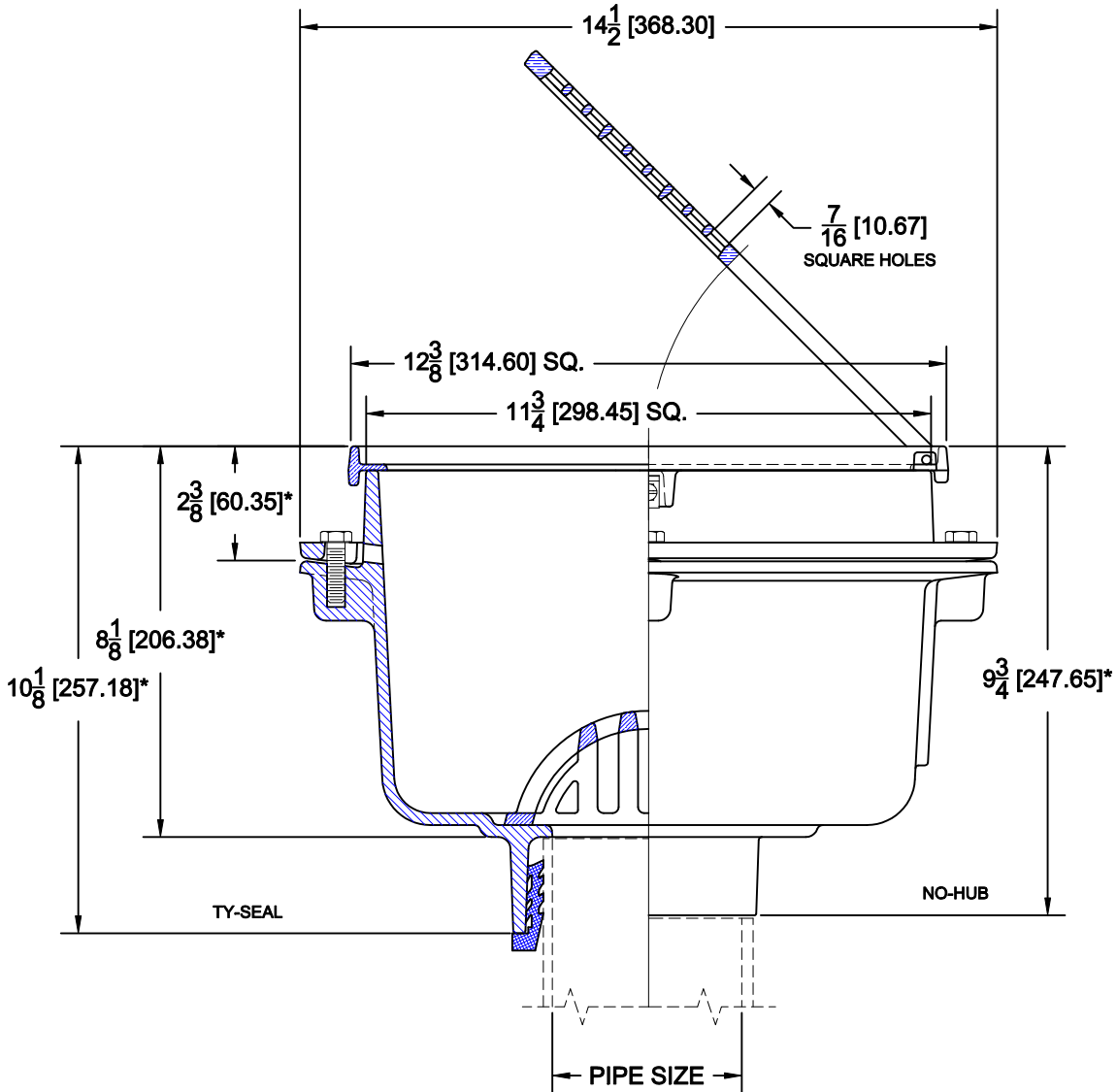
Job Location

Job Name

Dimensional Data (Inches/mm) are Subject to Manufacturers Tolerance and Change Without Notice. Wade Division / Tyler Pipe Assumes No Responsibility For Superseded or Voided Data

9140

CAST IRON 12" SQUARE FLOOR SINK WITH 8" DEEP SUMP, PORCELAIN COATED INTERIOR, PLASTIC DOME BOTTOM STRAINER AND SATIN FINISH NICKEL BRONZE TOP WITH HNGED GRATE, GRATE FREE AREA = 36.7 SQ.IN. (NICKEL BRONZE) 54.8 (A.R.E. CAST IRON) ASME LOAD RATING - LD (LIGHT DUTY) UNDER 2,000 LBS



**OUTLETS**

Suffix	Description
<input type="checkbox"/> NH	NO-HUB (3, 4, 6")
<input type="checkbox"/> TY	TY-SEAL
<input type="checkbox"/> IC	INSIDE CAULK (3, 4")

Cat. No.	Pipe Size	Wt. Lbs.
<input type="checkbox"/> 9142	2 (50)	47.0
<input type="checkbox"/> 9143	3 (75)	47.0
<input type="checkbox"/> 9144	4 (100)	47.0
<input type="checkbox"/> 9146	6 (150)	48.0

NOTE: TY-SEAL OUTLETS WILL ACCOMODATE IPS PIPE SIZES IN 2", 3" & 4" ONLY. (PLASTIC, STEEL, ETC.)

\* ADD 1/2" FOR A.R.E. TOP

**OPTIONS**

Suffix	Description
<input type="checkbox"/> 5	VANDAL PROOF SECURED TOP
<input type="checkbox"/> 6	TRAP PRIMER CONNECTION (1/2" NPT)
<input type="checkbox"/> 9	ALUMINUM DOME BOTTOM STRAINER
<input type="checkbox"/> 15	HALF GRATE
<input type="checkbox"/> 16	THREE QUARTER GRATE
<input type="checkbox"/> 17	GRATE W/ CENTER HOLE
<input type="checkbox"/> 26	CLAMP DEVICE
<input type="checkbox"/> 27	ALUMINUM SEDIMENT BUCKET
<input type="checkbox"/> 64	A.R.E. CAST IRON TOP
<input type="checkbox"/> 123	S/S MESH LINED SEDIMENT BUCKET

AutoCad.dwg