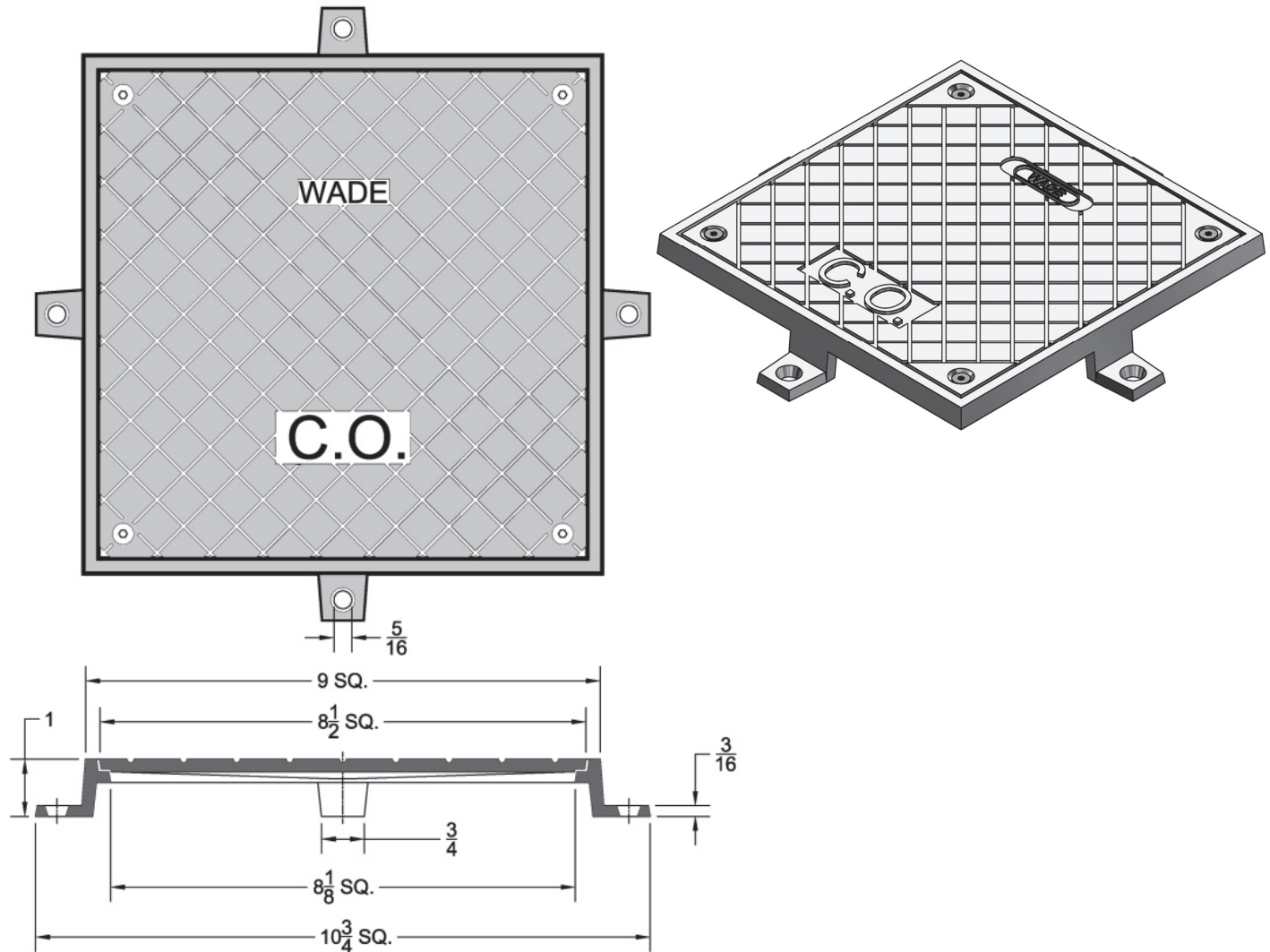


8301 Square Cleanout Access (Replaces 8300-S)

Project		Engineer		Mechanical	
---------	--	----------	--	------------	--



8301	Size	-1 Satin Finish Nickel Bronze	-2 Satin Finish Bronze
•	9"		

Regularly Furnished: Square, scoriated cleanout access cover & frame. Cleanout ferrules & tees are optional.

Suffix Options		
Suffix	Description	•
-COF2	2" No-Hub Cleanout Ferrule with ABS Plug	
-COF3	3" No-Hub Cleanout Ferrule with ABS Plug	
-COF4	4" No-Hub Cleanout Ferrule with ABS Plug	
-COF5	5" No-Hub Cleanout Ferrule with ABS Plug	
-COF6	6" No-Hub Cleanout Ferrule with ABS Plug	

Suffix Options		
Suffix	Description	•
-CM	Carpet Marker	
-COT2	2" No-Hub Cleanout Tee with ABS Plug	
-COT3	3" No-Hub Cleanout Tee with ABS Plug	
-COT4	4" No-Hub Cleanout Tee with ABS Plug	
-COT5	5" No-Hub Cleanout Tee with ABS Plug	
-COT6	6" No-Hub Cleanout Tee with ABS Plug	
-VP	Vandal Proof Screws	
-39F	Galvanized Cleanout Ferrule	
-39T	Galvanized Cleanout Tee	
-75	Bronze Plug in Lieu of ABS	
-83	Special Marking	
-164	Smooth Cover	