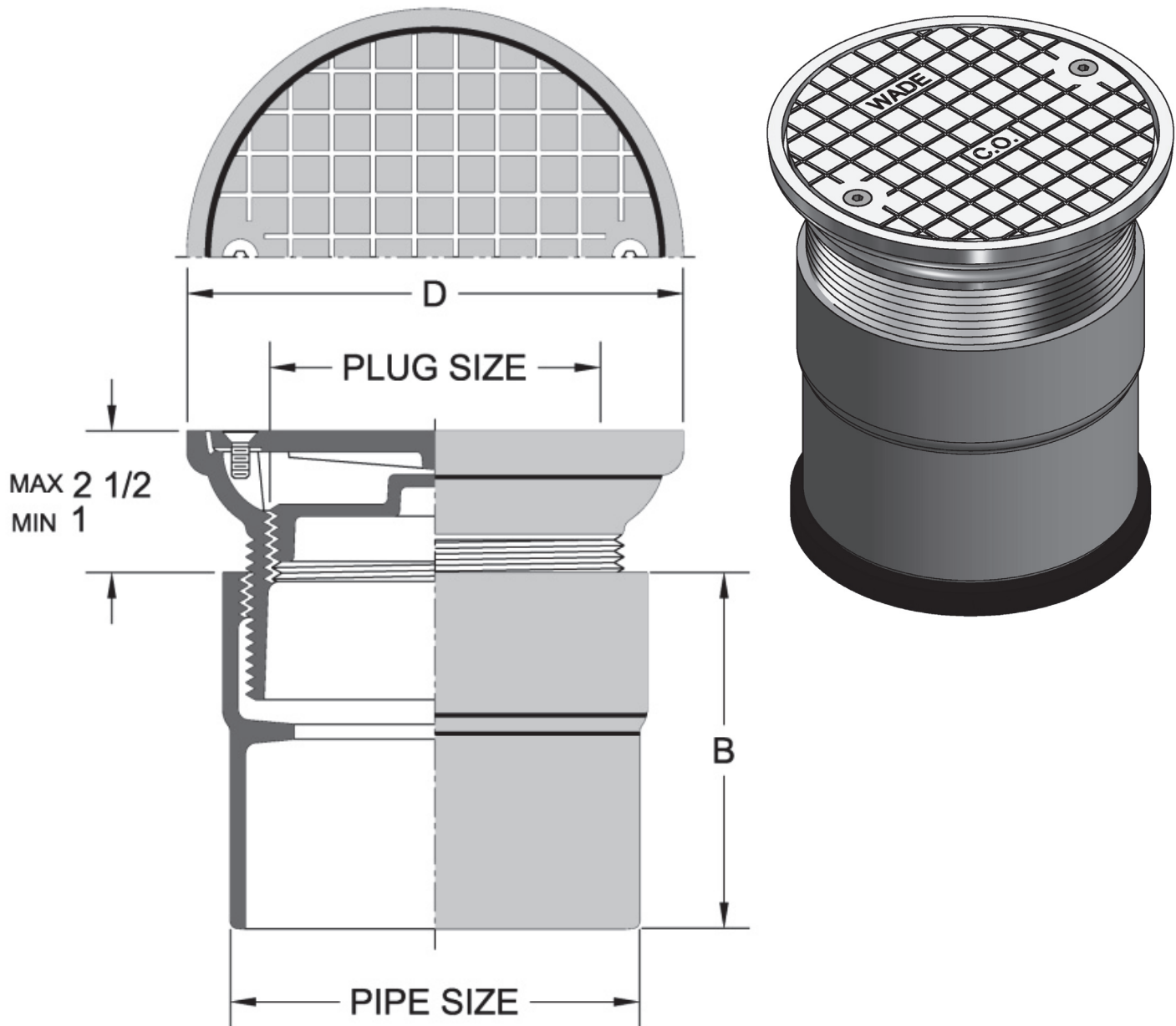


8130 Adjustable Floor & Grade Cleanout (Replaces 8130-AF)

Project		Engineer		Mechanical	
---------	--	----------	--	------------	--



8130	Pipe Size	Plug Size	B	D	-1 Cast Iron Body with Satin Finish Nickel Bronze Top
•	3"	2"	3-3/4	4-1/2	
	4"	3"	3-3/4	5-1/4	

Suffix Options		
Suffix	Description	•
-ARC	Acid Resistant Coating	
-CM	Carpet Marker	
-VP	Vandal Proof Top Assembly	
-39	Galvanized Cast Iron	
-75	Bronze Plug in Lieu of ABS	

Regularly Furnished: Cast iron cleanout with threaded, adjustable housing, ABS plug, & scoriated top.

Outlet Variations		
Type	Designation	•
No-Hub	2NH,3NH,4NH	
Push On Gasket	2TY,3TY,4TY	

*Dimensions vary from illustration