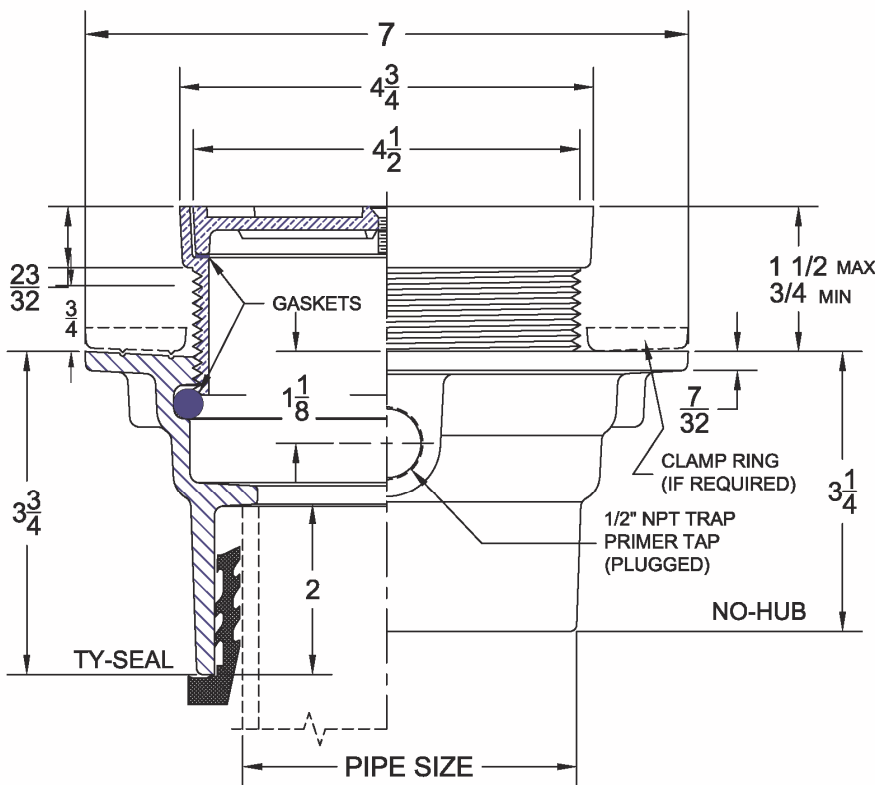
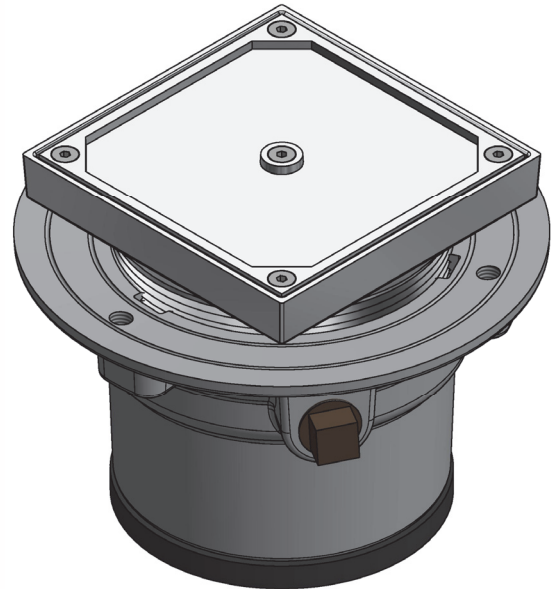
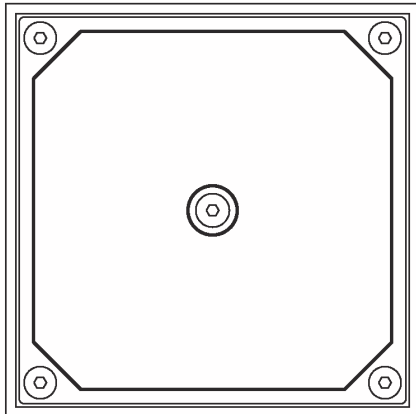


**8050-TS Adjustable Floor & Grade Cleanout w/ Square Top Recessed for Tile**

Project	Engineer	Mechanical
---------	----------	------------



*\*Dimensions vary from illustration*

<b>8050-TS</b>	<b>-1</b> Cast Iron Body with Satin Finish Nickel Bronze Top
•	

Suffix Options		
Suffix	Description	•
-VP	Vandal Proof Top Assembly	
-26	Clamping Collar	
-39	Galvanized Cast Iron	
-83	Special Marking	

**Regularly Furnished:** Epoxy coated cast iron cleanout with threaded, adjustable housing, flanged ferrule & gasketed cover recessed for tile.

Outlet Variations		
Type	Designation	•
No-Hub	2NH,3NH,4NH	
Push On Gasket	2TY,3TY,4TY	