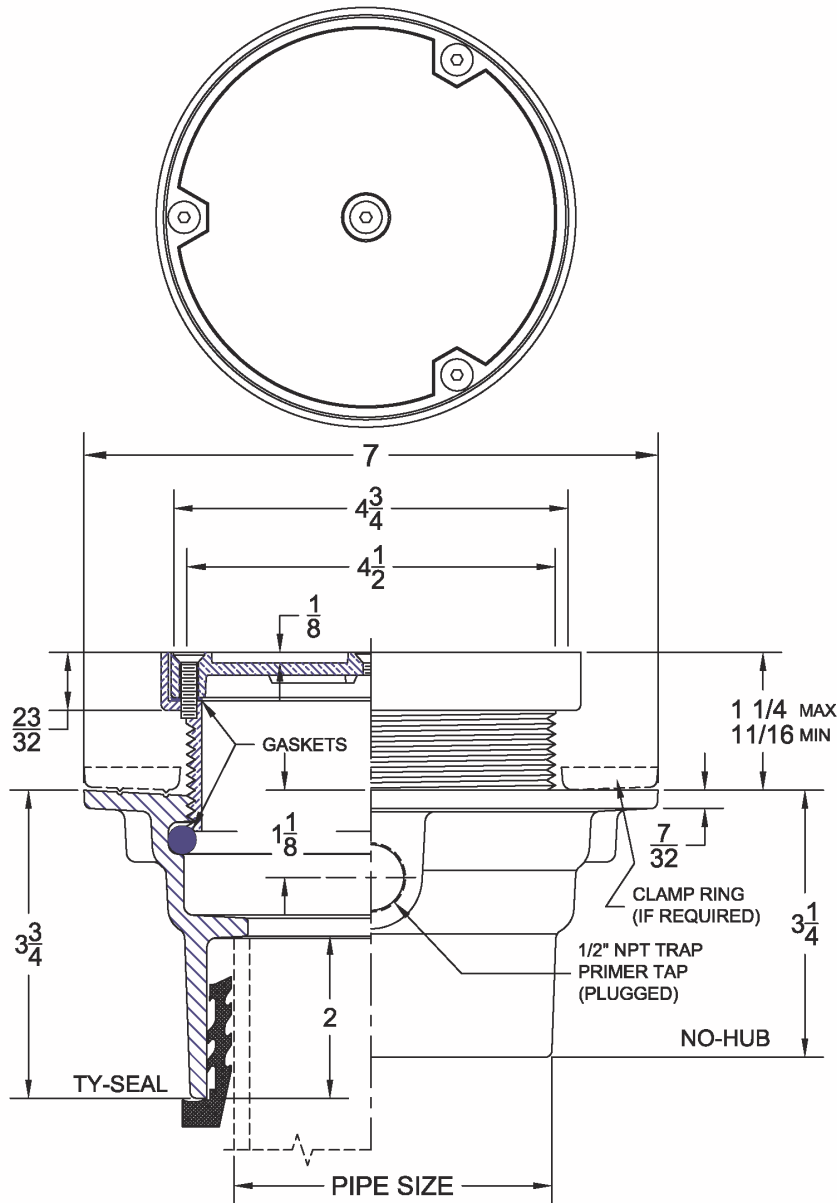


## 8050-TR Adjustable Floor & Grade Cleanout w/ Round Top Recessed for Tile

Project	Engineer	Mechanical
---------	----------	------------



\*Dimensions vary from illustration

<b>8050-TR</b>	<b>-1</b>
	Cast Iron Body with Satin Finish Nickel Bronze Top

Suffix Options		
Suffix	Description	•
-VP	Vandal Proof Top Assembly	
-26	Clamping Collar	
-39	Galvanized Cast Iron	
-83	Special Marking	

**Regularly Furnished:** Epoxy coated cast iron cleanout with threaded, adjustable housing, flanged ferrule & gasketed cover recessed for tile.

Outlet Variations		
Type	Designation	•
No-Hub	2NH,3NH,4NH	
Push On Gasket	2TY,3TY,4TY	