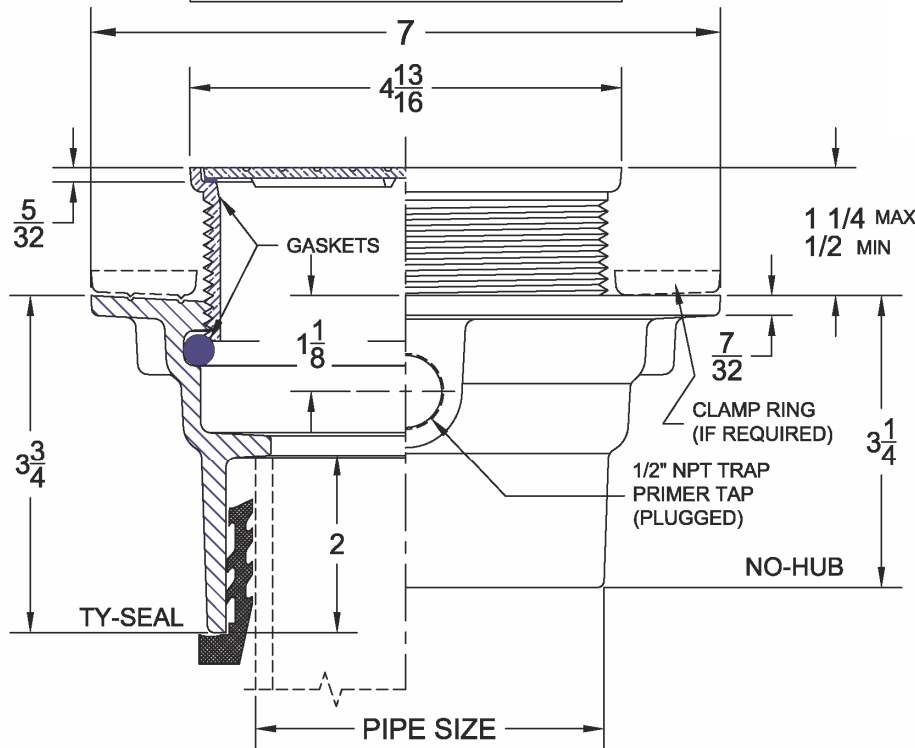
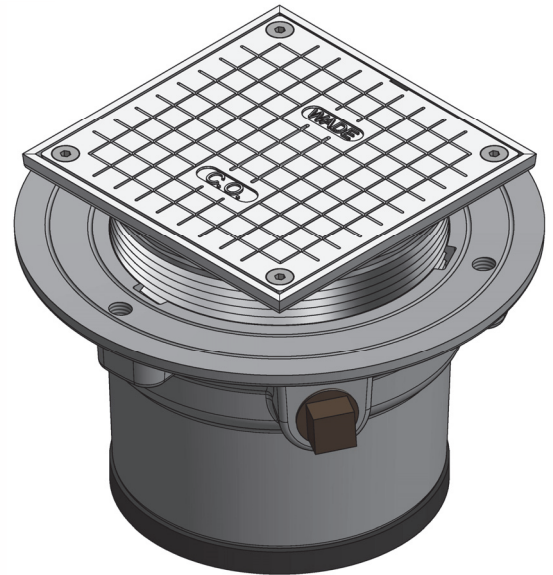
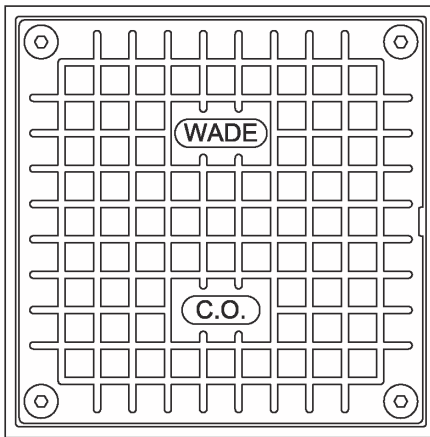


## 8050-S Adjustable Floor & Grade Cleanout w/ Square Adjustable Top

Project	Engineer	Mechanical
---------	----------	------------



*\*Dimensions vary from illustration*

8050-S	-1 Cast Iron Body with Satin Finish Nickel Bronze Top	-2 Cast Iron Body with Satin Finish Bronze Top
•		

Suffix Options		
Suffix	Description	•
-VP	Vandal Proof Top Assembly	
-X	Heavy Duty Cover (Standard on -12) *	
-26	Clamping Collar	
-39	Galvanized Cast Iron	
-83	Special Marking	

**Regularly Furnished:** Epoxy coated cast iron cleanout with threaded, adjustable housing, flanged ferrule, polypropylene expansion plug, & gasketed, scoriated square top.

Outlet Variations		
Type	Designation	•
No-Hub	2NH,3NH,4NH	
Push On Gasket	2TY,3TY,4TY	