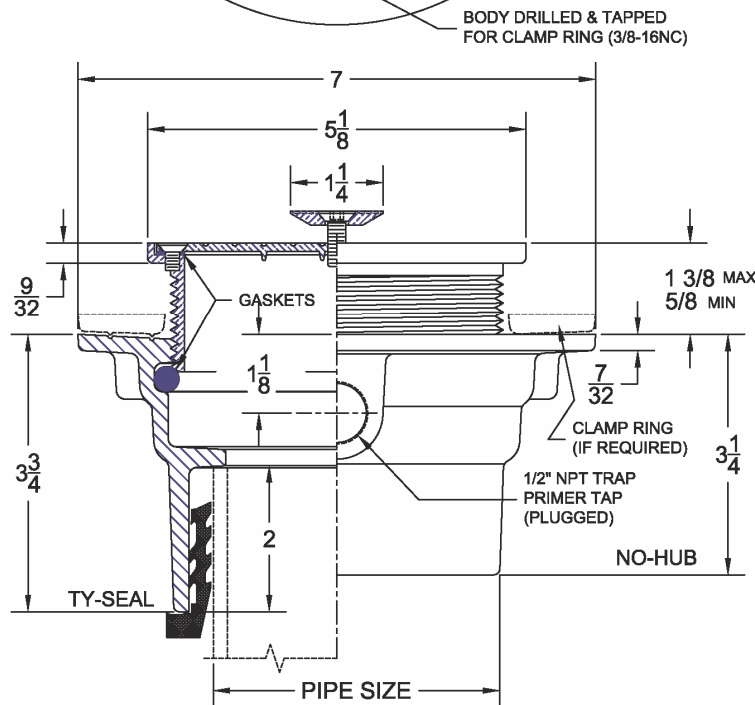
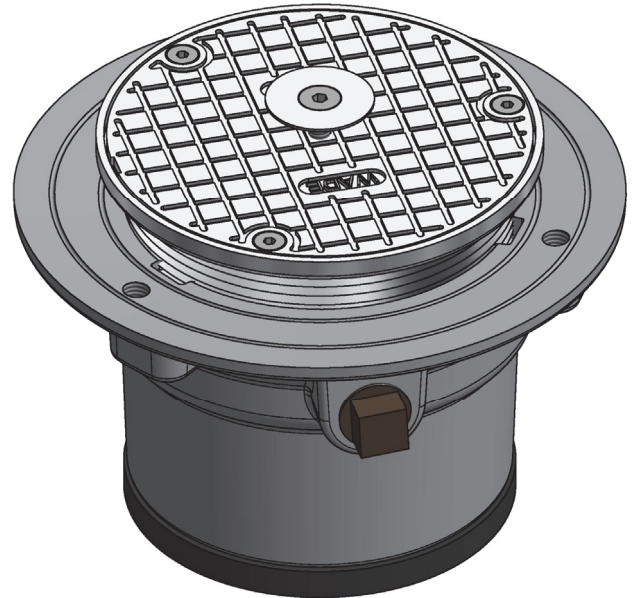
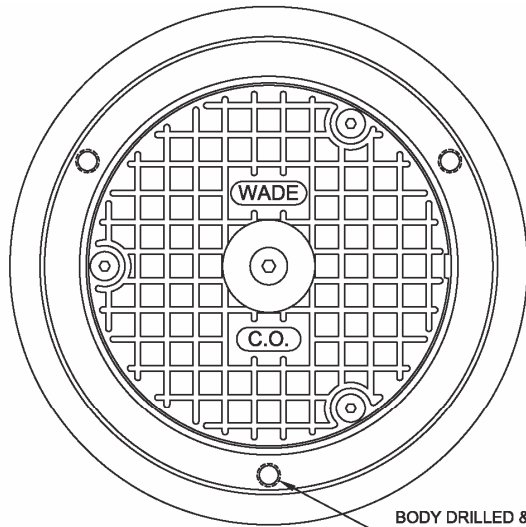


## 8050-CM Adjustable Floor & Grade Cleanout w/ Carpet Marker

Project	Engineer	Mechanical
---------	----------	------------



*\*Dimensions vary from illustration*

8050-CM	-1	-2	-12	-85
●	Cast Iron Body with Satin Finish Nickel Bronze Top	Cast Iron Body with Satin Finish Bronze Top	Cast Iron Body with Ductile Iron Top	Cast Iron Body with Satin Finish Stainless Steel Top

Suffix Options		●
Suffix	Description	
-S	Square Cover*	
-VP	Vandal Proof Top Assembly	
-X	Heavy Duty Cover (Standard on -12) *	
-26	Clamping Collar	
-39	Galvanized Cast Iron	
-83	Special Marking	

**Regularly Furnished:** Epoxy coated cast iron cleanout with threaded, adjustable housing, flanged ferrule, polypropylene expansion plug, & gasketed, scoriated top and carpet marker.

Outlet Variations		●
Type	Designation	
No-Hub	2NH,3NH,4NH	
Push On Gasket	2TY,3TY,4TY	