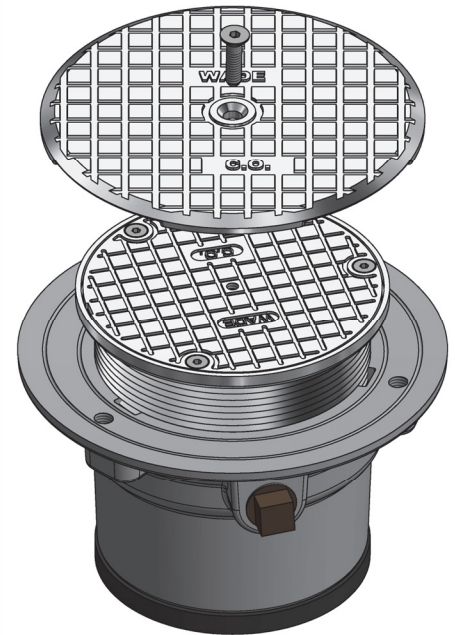
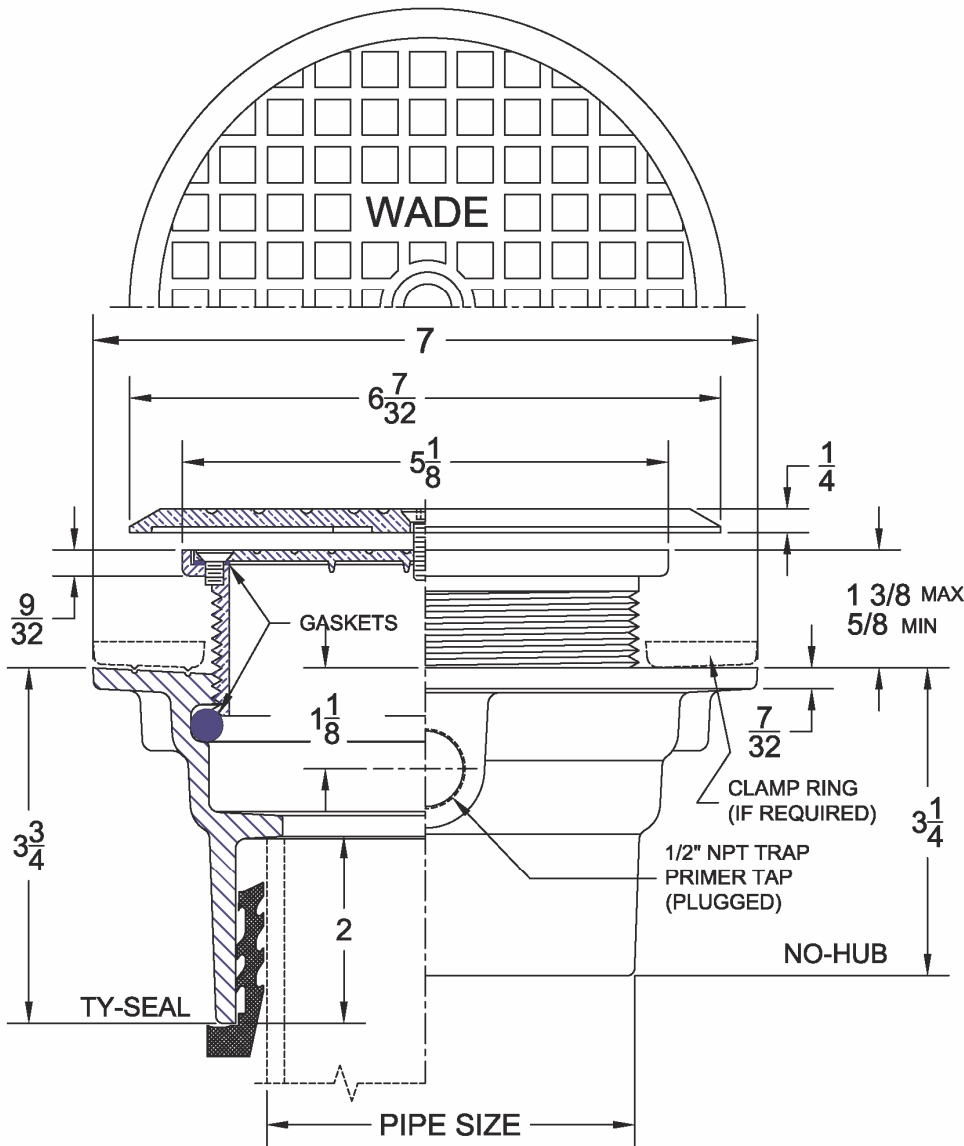


8050-CF Adjustable Floor & Grade Cleanout w/ Carpet Flange

Project	Engineer	Mechanical
---------	----------	------------



*Dimensions vary from illustration

8050-CF	-1 Cast Iron Body with Satin Finish Nickel Bronze Top
----------------	--

Suffix Options		
Suffix	Description	•
-VP	Vandal Proof Top Assembly	
-X	Heavy Duty Cover *	
-26	Clamping Collar	
-39	Galvanized Cast Iron	
-83	Special Marking	

Regularly Furnished: Epoxy coated cast iron cleanout with threaded, adjustable housing, flanged ferrule, polypropylene expansion plug, & gasketed, scoriated top and carpet flange.

Outlet Variations		
Type	Designation	•
No-Hub	2NH,3NH,4NH	
Push On Gasket	2TY,3TY,4TY	