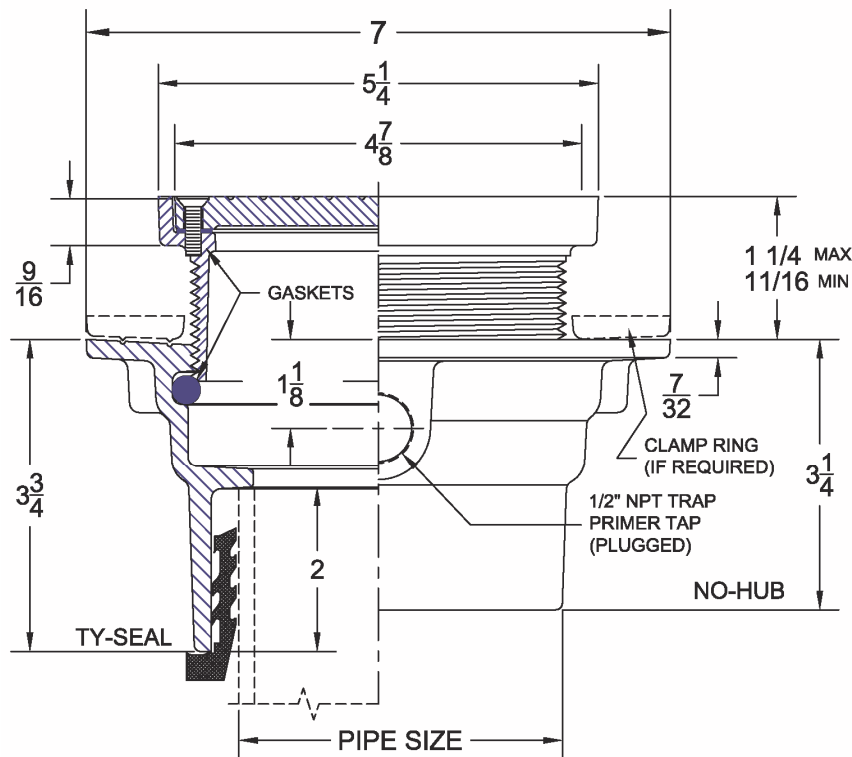
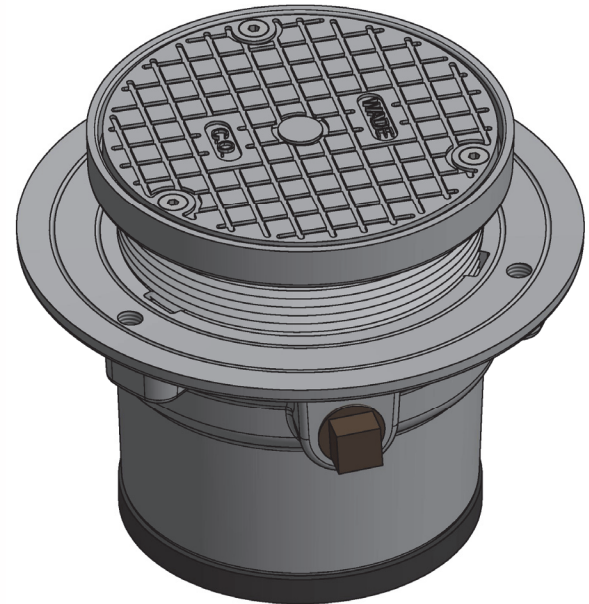
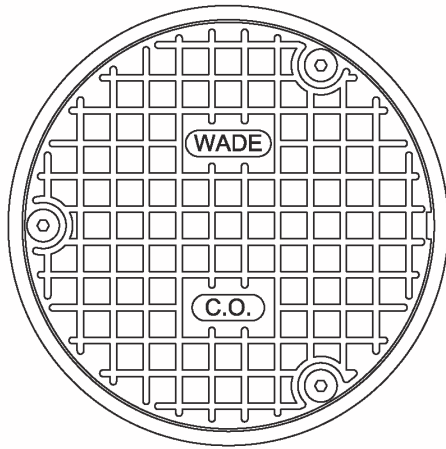


8050-12 Adjustable Floor & Grade Cleanout w/ Ductile Iron Top

Project	Engineer	Mechanical
---------	----------	------------



*Dimensions vary from illustration

8050	-12 Cast Iron Body with Ductile Iron Top
•	

Suffix Options		
Suffix	Description	•
-CM	Carpet Marker	
-VP	Vandal Proof Top Assembly	
-X	Heavy Duty Cover (Standard on -12)	
-26	Clamping Collar	
-39	Galvanized Cast Iron	
-83	Special Marking	

Regularly Furnished: Epoxy coated cast iron cleanout with threaded, adjustable housing, flanged ferrule, polypropylene expansion plug, & gasketed, scoriated top.

Outlet Variations		
Type	Designation	•
No-Hub	2NH,3NH,4NH	
Push On Gasket	2TY,3TY,4TY	