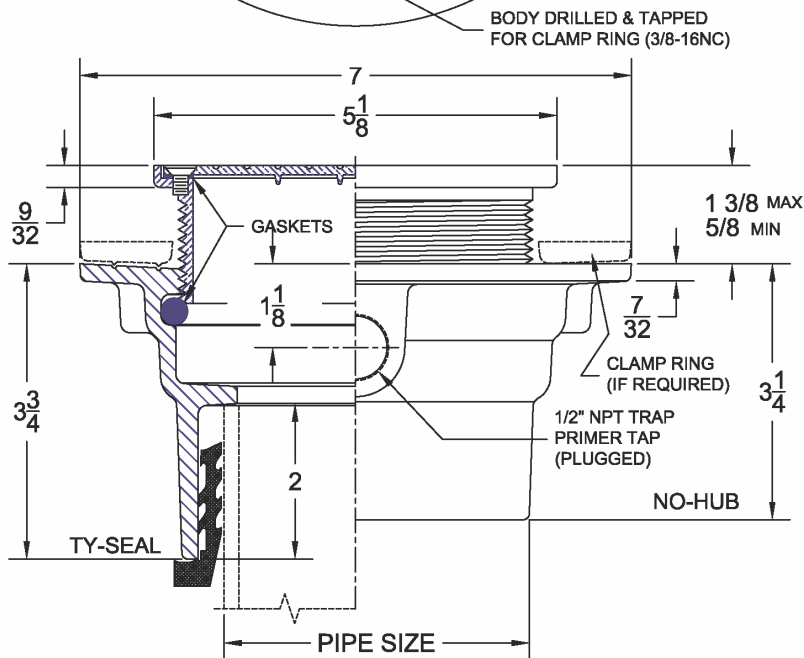
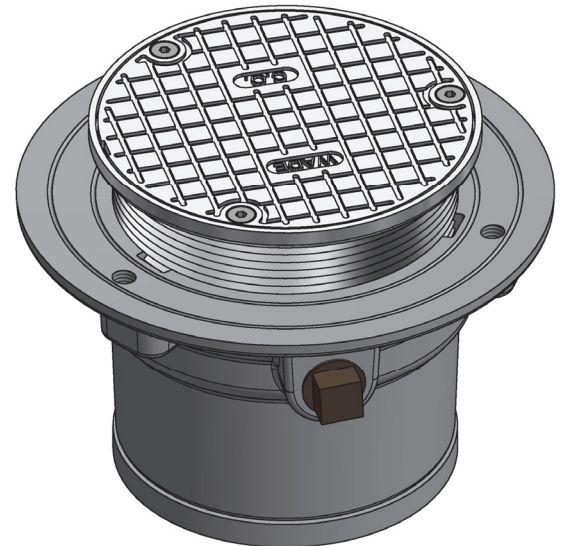
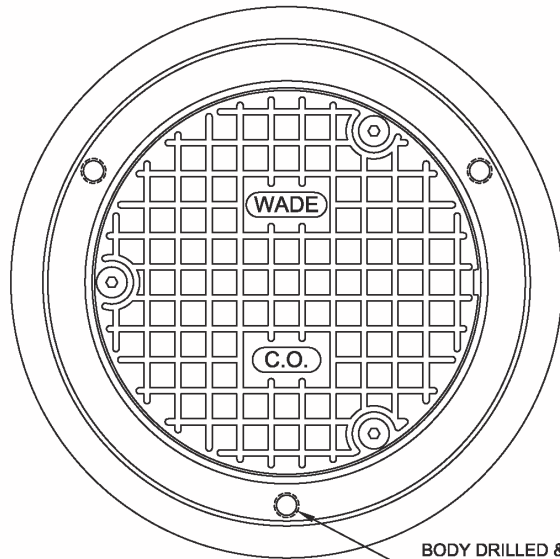


8050 Adjustable Floor & Grade Cleanout w/ Round Adjustable Top

Project	Engineer	Mechanical
---------	----------	------------



*Dimensions vary from illustration

8050	-1	-2	-12	-85
	Cast Iron Body with Satin Finish Nickel Bronze Top	Cast Iron Body with Satin Finish Bronze Top	Cast Iron Body with Ductile Iron Top	Cast Iron Body with Satin Finish Stainless Steel Top
•				

Suffix Options		•
Suffix	Description	
-CF	Carpet Flange *	
-CM	Carpet Marker *	
-S	Square Cover*	
-T	Round Tile Floor Cover *	
-TS	Square Tile Floor Cover*	
-U	Round Terrazzo Floor Cover *	
-US	Square Terrazzo Floor Cover*	
-VP	Vandal Proof Top Assembly	
-X	Heavy Duty Cover (Standard on -12) *	
-26	Clamping Collar	
-39	Galvanized Cast Iron	
-83	Special Marking	

Regularly Furnished: Epoxy coated cast iron cleanout with threaded, adjustable housing, flanged ferrule, polypropylene expansion plug, & gasketed, scoriated top.

Outlet Variations		•
Type	Designation	
No-Hub	2NH,3NH,4NH	
Push On Gasket	2TY,3TY,4TY	