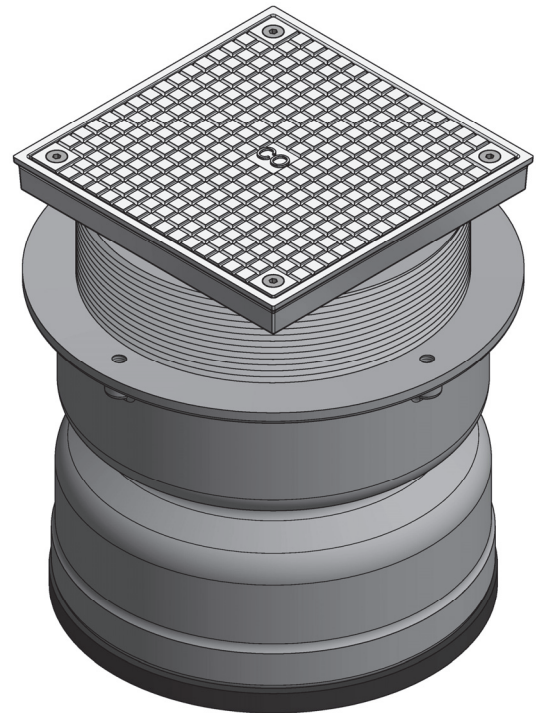
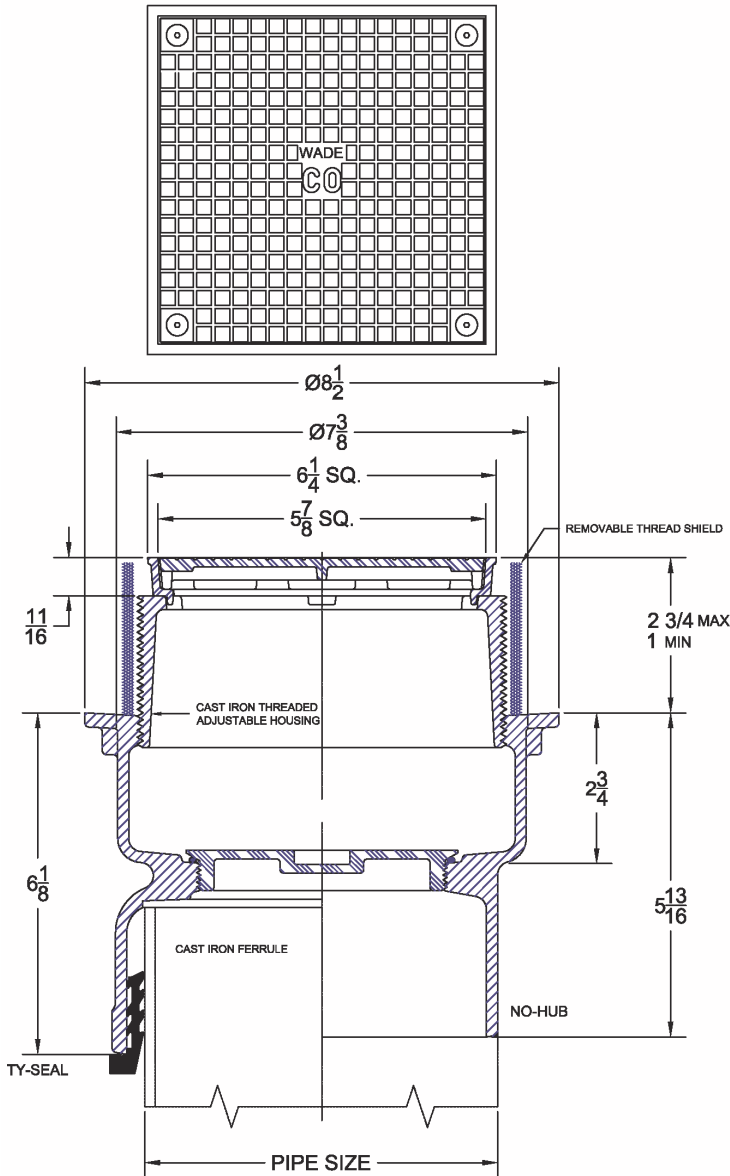


8000-85-S (6") Adjustable Floor & Grade Cleanout w/ Square Stainless Steel Top

| | | |
|---------|----------|------------|
| Project | Engineer | Mechanical |
|---------|----------|------------|



| | |
|---------------|---|
| 8000-S | -85 Cast Iron Body with Satin Finish Stainless Steel Top |
| • | |

Regularly Furnished: Cast iron cleanout with threaded adjustable housing, flanged ferrule, ABS plug, & 304 stainless steel scoriated top.

| Suffix Options | | |
|----------------|----------------------------|---|
| Suffix | Description | • |
| -ARC | Acid Resistant Coating | |
| -VP | Vandal Proof Top Assembly | |
| -26 | Clamping Collar | |
| -39 | Galvanized Cast Iron | |
| -75 | Bronze Plug in Lieu of ABS | |
| -81 | Gasketed Cover | |
| -83 | Special Marking | |

| Outlet Variations | | |
|-------------------|--------------------|---|
| Type | Designation | • |
| No-Hub | 6NH | |
| Push On Gasket | 6TY (CI), 6TX(PVC) | |

**Dimensions vary from illustration*