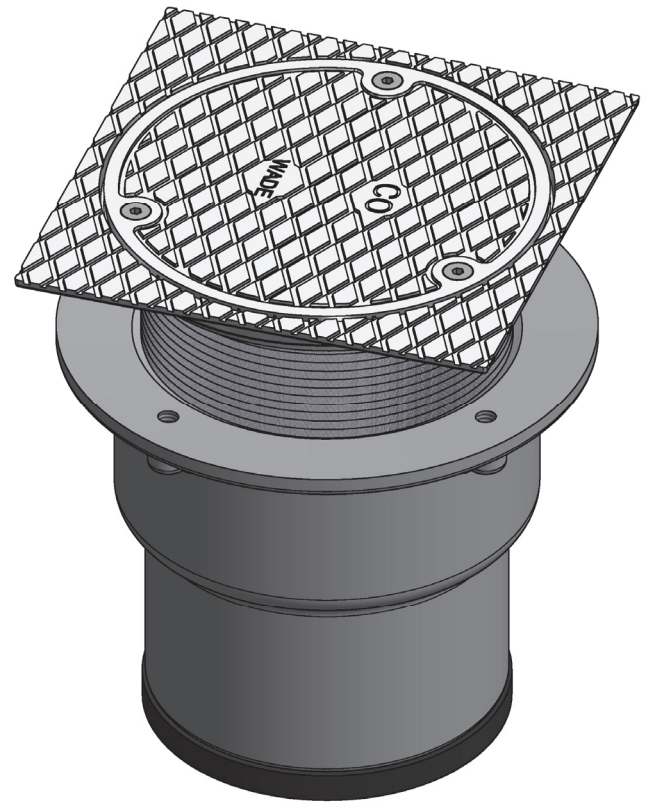
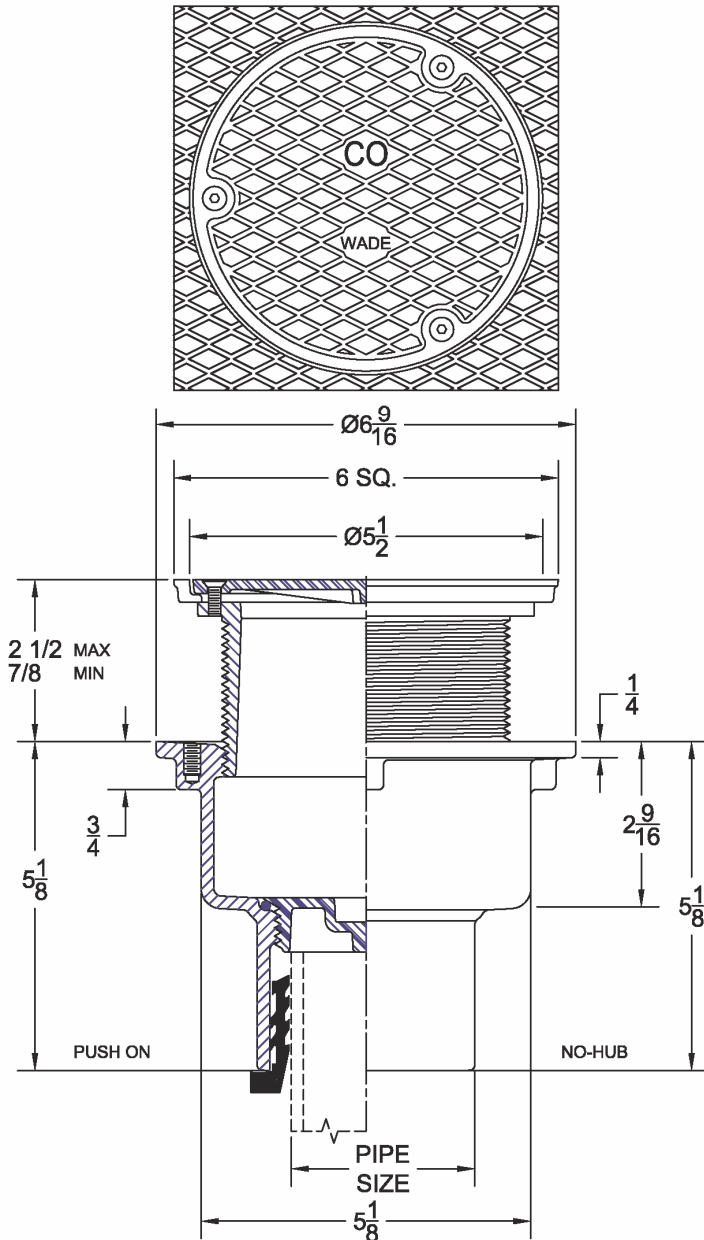


**8000-85-S** Adjustable Floor & Grade Cleanout w/ Square Stainless Steel Top

Project	Engineer	Mechanical
---------	----------	------------



*\*Dimensions vary from illustration*

<b>8000-S</b>	<b>-85</b> Cast Iron Body with Satin Finish Stainless Steel Top
•	

**Regularly Furnished:** Cast iron cleanout with threaded, adjustable housing, flanged ferrule, ABS plug, & square scoriated stainless steel top.

Outlet Variations		
Type	Designation	•
No-Hub	3NH,4NH	
Push On Gasket	2TY,3TY,4TY	

Suffix Options		
Suffix	Description	•
-ARC	Acid Resistant Coating	
-CM	Carpet Marker	
-E	Elastomeric Flange*	
-VP	Vandal Proof Top Assembly	
-26	Clamping Collar	
-39	Galvanized Cast Iron	
-75	Bronze Plug in Lieu of ABS	
-81	Gasketed Cover	
-83	Special Marking	