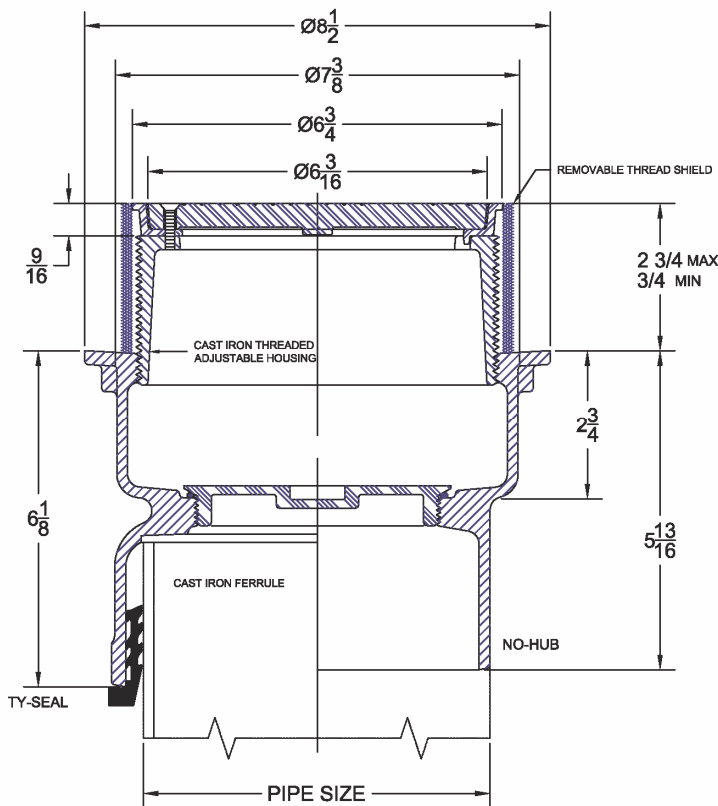
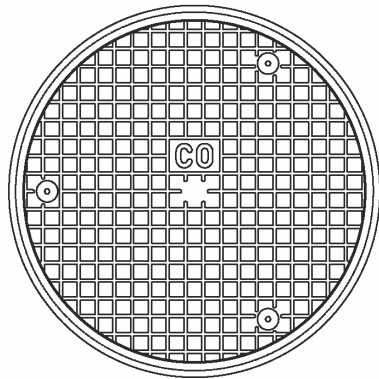


8000-85 (6") Adjustable Floor & Grade Cleanout w/ Stainless Steel Top

Project	Engineer	Mechanical
---------	----------	------------



8000	-85 Cast Iron Body with Satin Finish Stainless Steel Top
•	

Regularly Furnished: Cast iron cleanout with threaded adjustable housing, flanged ferrule, ABS plug, & 304 stainless steel scoriated top.

Suffix Options		
Suffix	Description	•
-ARC	Acid Resistant Coating	
-S	Square Cover*	
-VP	Vandal Proof Top Assembly	
-26	Clamping Collar	
-39	Galvanized Cast Iron	
-75	Bronze Plug in Lieu of ABS	
-81	Gasketed Cover	
-83	Special Marking	

Outlet Variations		
Type	Designation	•
No-Hub	6NH	
Push On Gasket	6TY (CI), 6TX(PVC)	

*Dimensions vary from illustration