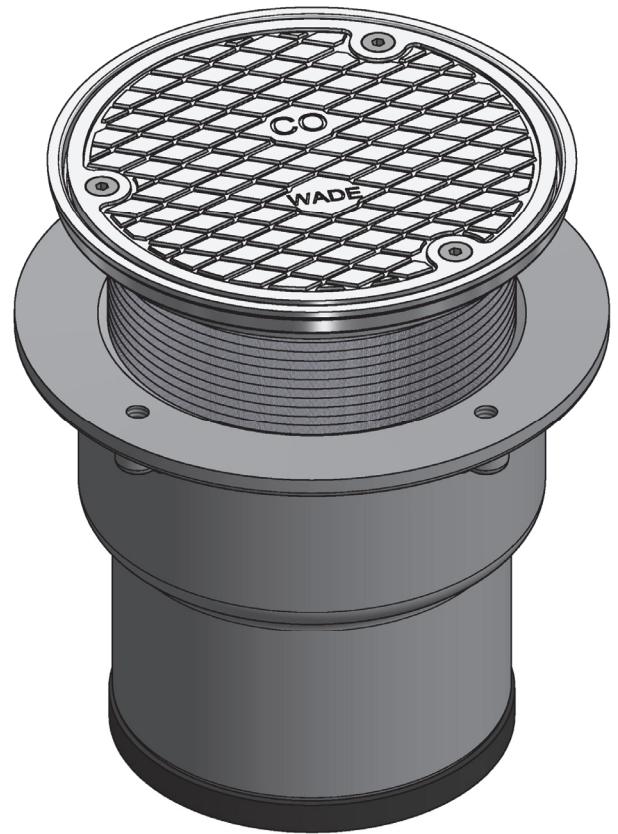
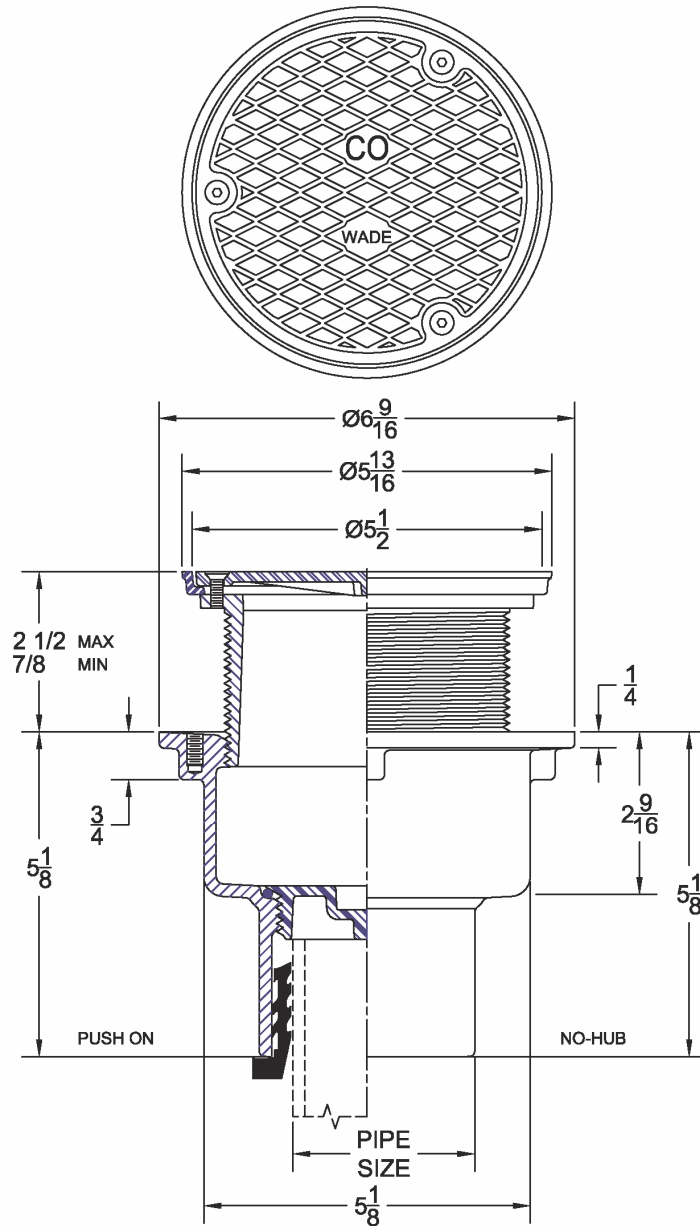


8000-85 Adjustable Floor & Grade Cleanout w/ Stainless Steel Top

Project		Engineer		Mechanical	
---------	--	----------	--	------------	--



*Dimensions vary from illustration

8000	-85 Cast Iron Body with Satin Finish Stainless Steel Top
•	

Regularly Furnished: Cast iron cleanout with threaded, adjustable housing, flanged ferrule, ABS plug, & round scoriated stainless steel top.

Outlet Variations		
Type	Designation	•
No-Hub	3NH,4NH	
Push On Gasket	2TY,3TY,4TY	

Suffix Options		
Suffix	Description	•
-ARC	Acid Resistant Coating	
-CM	Carpet Marker	
-E	Elastomeric Flange*	
-S	Square Cover*	
-VP	Vandal Proof Top Assembly	
-26	Clamping Collar	
-39	Galvanized Cast Iron	
-75	Bronze Plug in Lieu of ABS	
-81	Gasketed Cover	
-83	Special Marking	