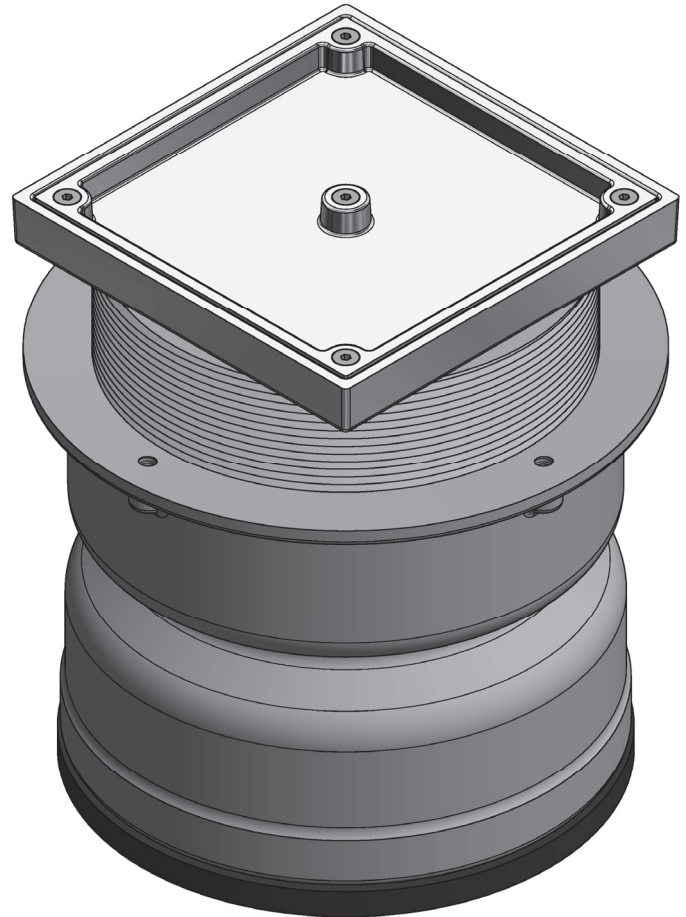
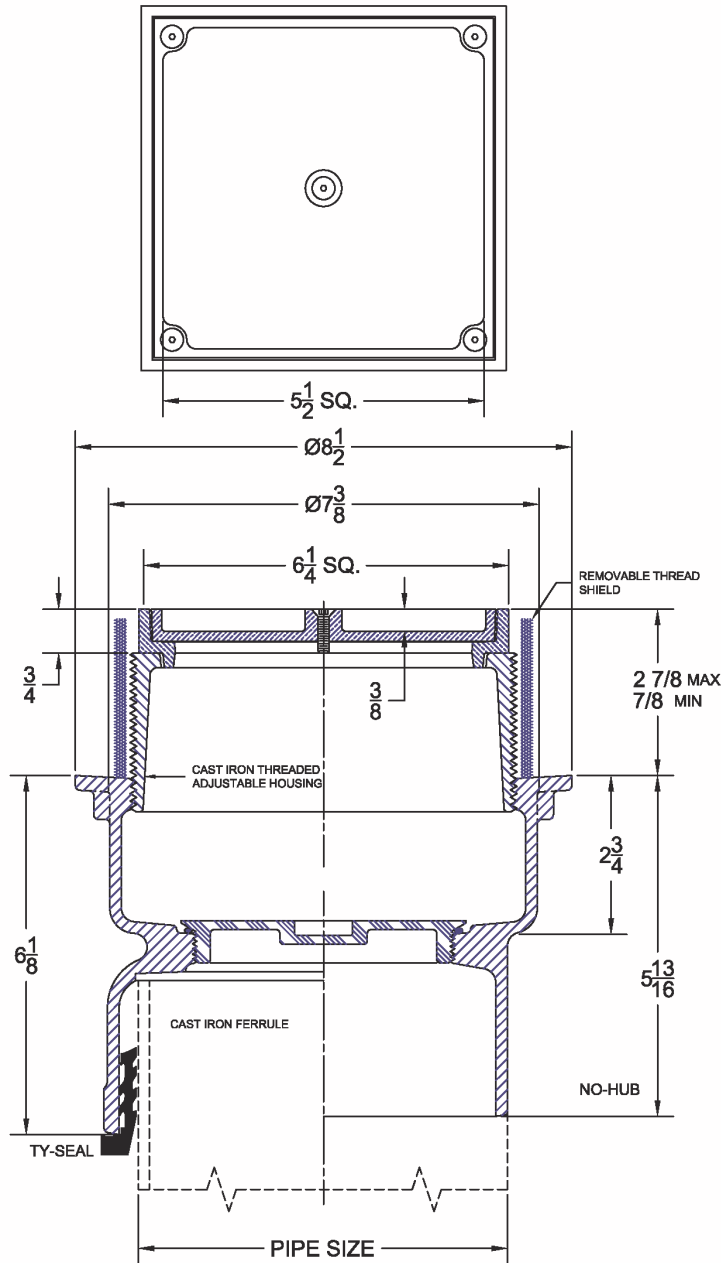


## 8000-US (6") Adjustable Floor & Grade Cleanout w/ Square Top Recessed for Terrazzo

Project	Engineer	Mechanical
---------	----------	------------



8000-US	-1 Cast Iron Body with Satin Finish Nickel Bronze Top	-2 Cast Iron Body with Satin Finish Bronze Top
•		

**Regularly Furnished:** Cast iron cleanout with threaded adjustable housing, flanged ferrule, ABS plug and square top recessed for terrazzo.

Outlet Variations		
Type	Designation	•
No-Hub	6NH	
Push On Gasket	6TY (CI), 6TX (PVC)	

Suffix Options		
Suffix	Description	•
-ARC	Acid Resistant Coating	
-VP	Vandal Proof Top Assembly	
-26	Clamping Collar	
-39	Galvanized Cast Iron	
-75	Bronze Plug in Lieu of ABS	
-81	Gasketed Cover	
-83	Special Marking	

\*Dimensions vary from illustration