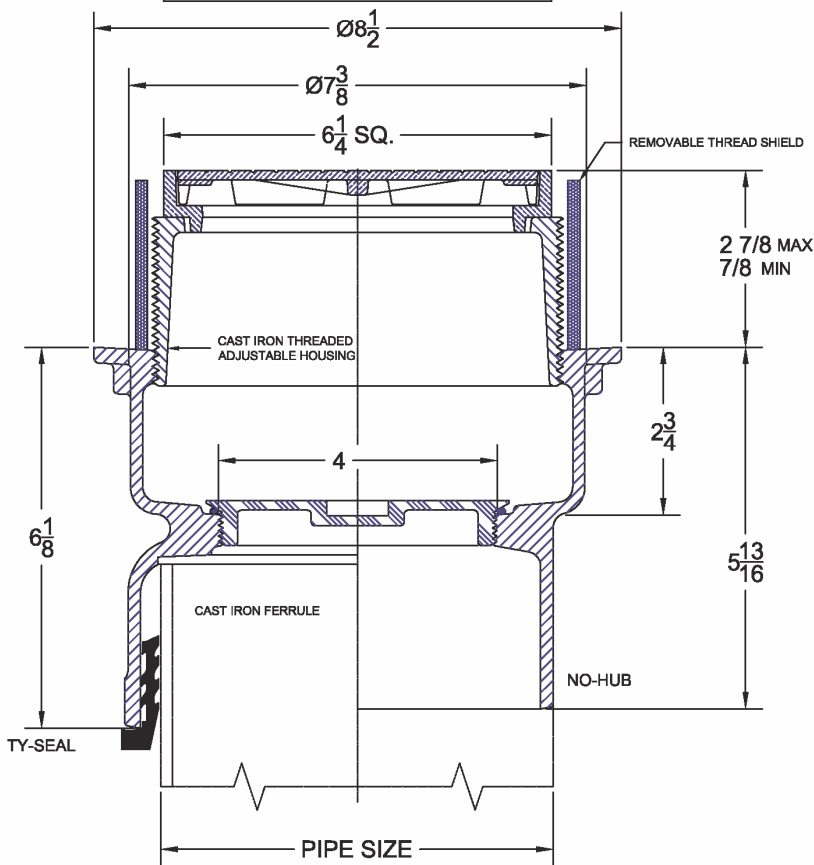
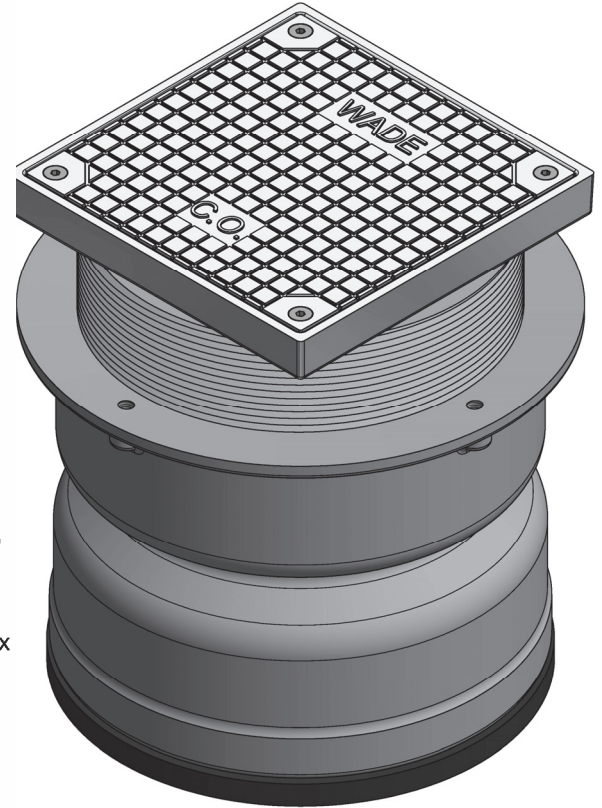
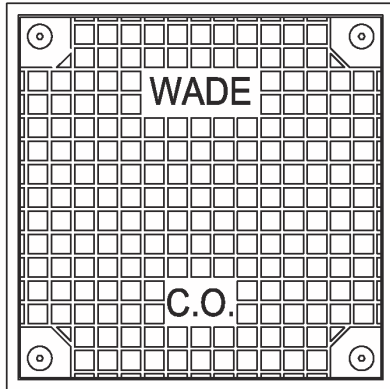


8000-S (6") Adjustable Floor & Grade Cleanout

Project	Engineer	Mechanical
---------	----------	------------



*Dimensions vary from illustration

8000-S	-1	-2	-12	-85
•	Cast Iron Body with Satin Finish Nickel Bronze Top	Cast Iron Body with Satin Finish Bronze Top	Cast Iron Body with Ductile Iron Top	Cast Iron Body with Satin Finish Stainless Steel Top

Regularly Furnished: Cast iron cleanout with threaded adjustable housing, flanged ferrule, ABS plug, & square scoriated top.

Outlet Variations		
Type	Designation	•
No-Hub	6NH	
Push On Gasket	6TY(CI),6TX(PVC)	

Suffix Options		
Suffix	Description	•
-ARC	Acid Resistant Coating	
-VP	Vandal Proof Top Assembly	
-X	Heavy Duty Cover	
-26	Clamping Collar	
-39	Galvanized Cast Iron	
-75	Bronze Plug in Lieu of ABS	
-81	Gasketed Cover	
-83	Special Marking	