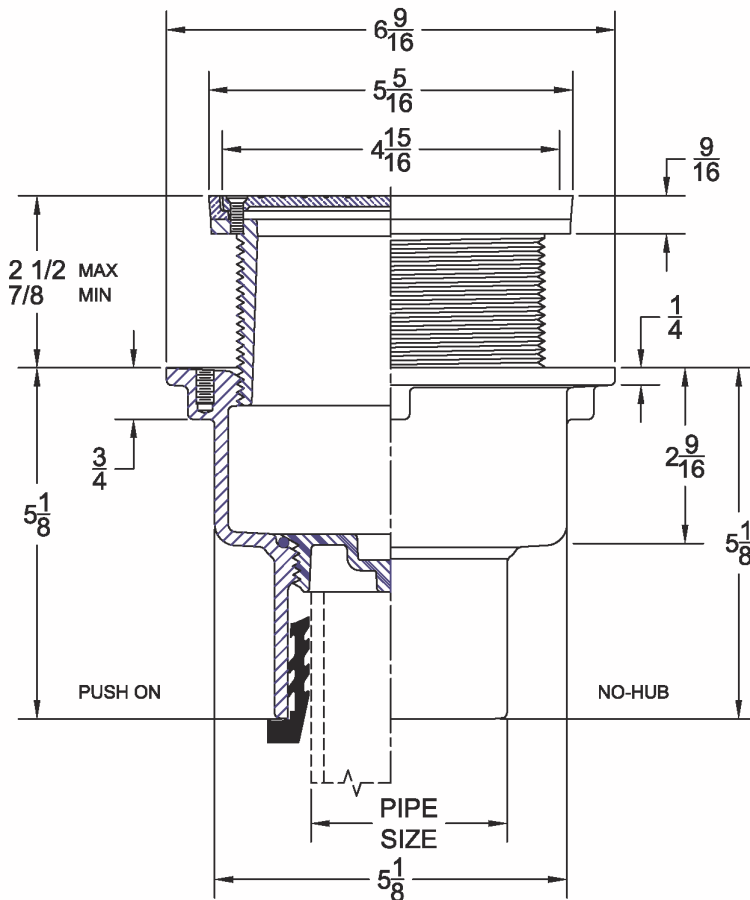
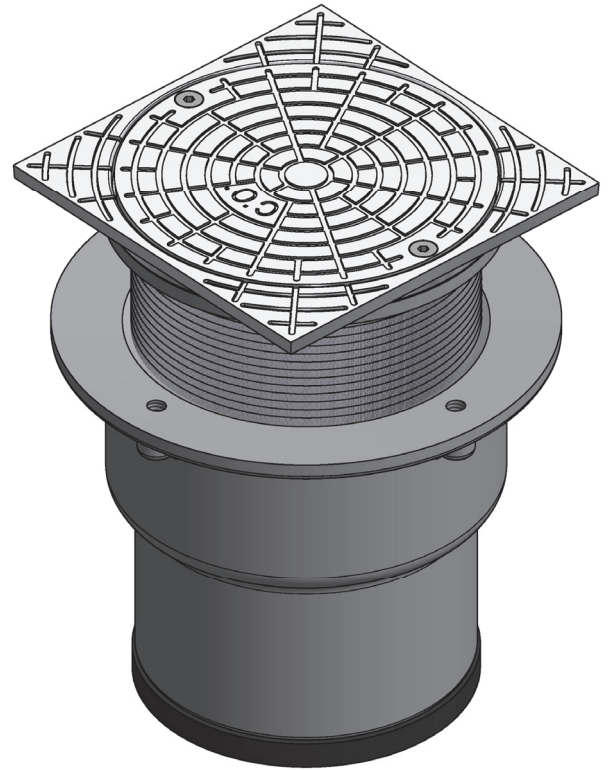
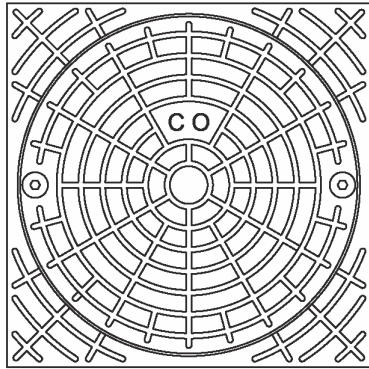


8000-S Adjustable Floor & Grade Cleanout

Project	Engineer	Mechanical
---------	----------	------------



**Dimensions vary from illustration*

8000-S	-1	-2	-85
●	Cast Iron Body with Satin Finish Nickel Bronze Top	Cast Iron Body with Satin Finish Bronze Top	Cast Iron Body with Satin Finish Stainless Steel Top

Regularly Furnished: Cast iron cleanout with threaded adjustable housing, flanged ferrule, ABS plug, & square scoriated top.

Outlet Variations		●
Type	Designation	
No-Hub	3NH,4NH	
Push On Gasket	2TY,3TY,4TY	

Suffix Options		
Suffix	Description	●
-ARC	Acid Resistant Coating	
-VP	Vandal Proof Top Assembly	
-X	Heavy Duty Cover	
-26	Clamping Collar	
-39	Galvanized Cast Iron	
-75	Bronze Plug in Lieu of ABS	
-81	Gasketed Cover	
-83	Special Marking	