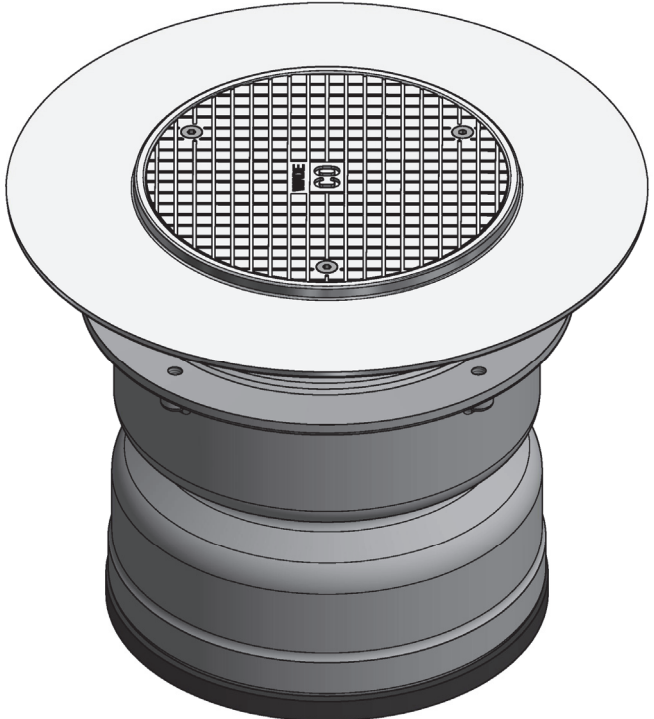
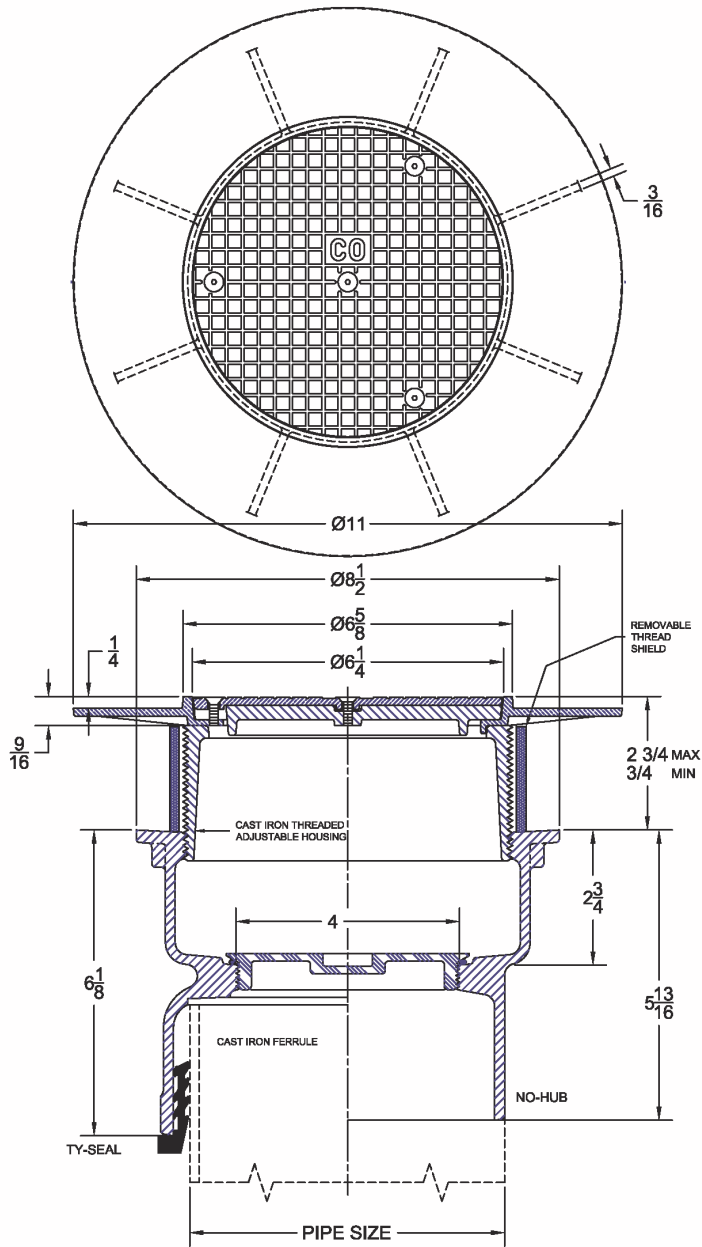


8000-E (6") Adjustable Floor & Grade Cleanout w/ Wide Flange Top

Project	Engineer	Mechanical
---------	----------	------------



8000-E	-1	-2	-85
•	Cast Iron Body with Satin Finish Nickel Bronze Top	Cast Iron Body with Satin Finish Bronze Top	Cast Iron Body with Satin Finish Stainless Steel Top

Regularly Furnished: Cast iron cleanout with threaded adjustable housing, flanged ferrule, ABS plug, and round scoriated top with wide flange.

Outlet Variations		•
Type	Designation	
No-Hub	6NH	
Push On Gasket	6TY (CI), 6TX (PVC)	

Suffix Options		
Suffix	Description	•
-ARC	Acid Resistant Coating	
-VP	Vandal Proof Top Assembly	
-X	Heavy Duty Cover	
-26	Clamping Collar	
-39	Galvanized Cast Iron	
-75	Bronze Plug in Lieu of ABS	
-81	Gasketed Cover	
-83	Special Marking	

**Dimensions vary from illustration*