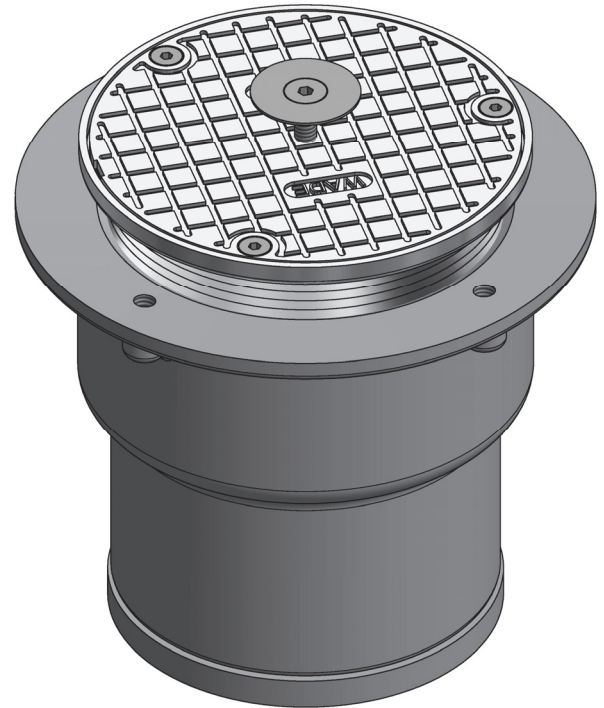
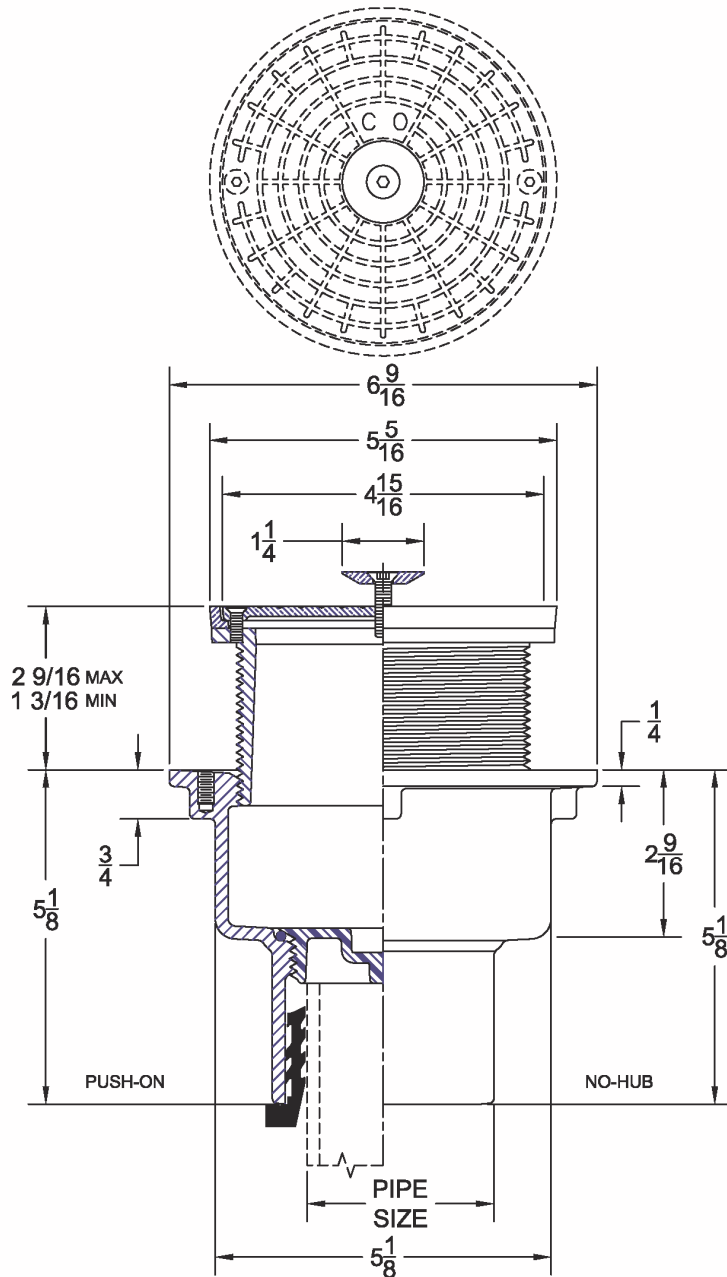


8000-CM Adjustable Floor & Grade Cleanout w/ Carpet Marker

Project	Engineer	Mechanical
---------	----------	------------



8000-CM	-1	-2	-12	-85
•	Cast Iron Body with Satin Finish Nickel Bronze Top	Cast Iron Body with Satin Finish Bronze Top	Cast Iron Body with Ductile Iron Top	Cast Iron Body with Satin Finish Stainless Steel Top

Regularly Furnished: Cast iron cleanout with threaded adjustable housing, flanged ferrule, ABS plug, scoriated top & carpet marker.

Outlet Variations		
Type	Designation	•
No-Hub	3NH,4NH	
Push On Gasket	2TY,3TY,4TY	

Suffix Options		
Suffix	Description	•
-ARC	Acid Resistant Coating	
-VP	Vandal Proof Top Assembly	
-X	Heavy Duty Cover (Standard on -12)	
-26	Clamping Collar	
-39	Galvanized Cast Iron	
-75	Bronze Plug in Lieu of ABS	
-81	Gasketed Cover	
-83	Special Marking	

*Dimensions vary from illustration