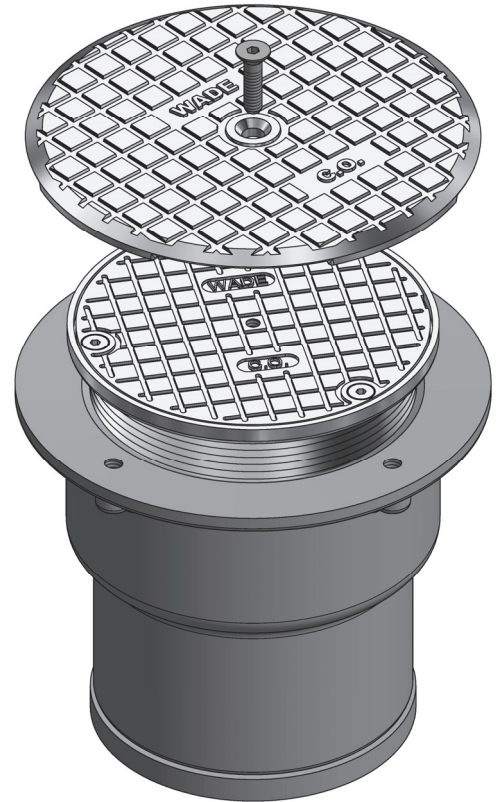
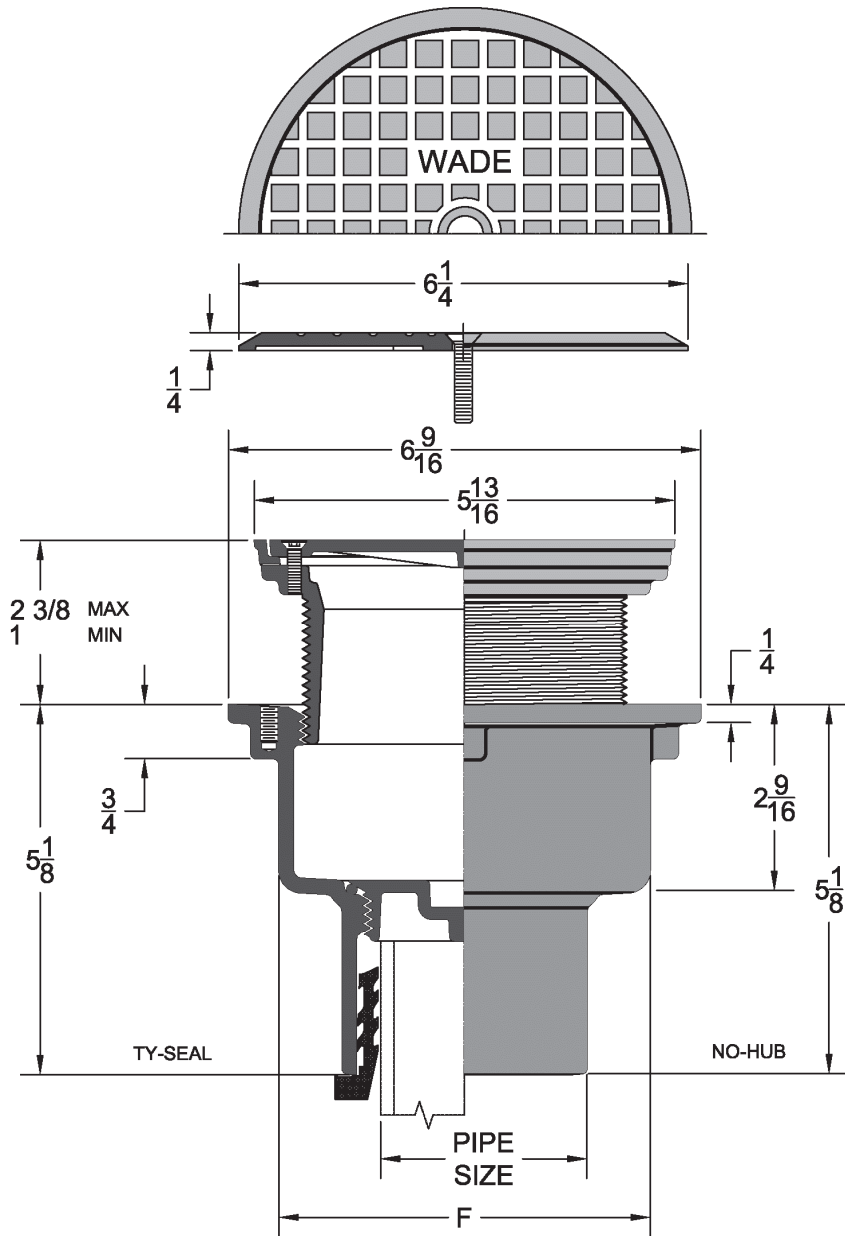


8000-CF Adjustable Floor & Grade Cleanout w/ Carpet Flange

Project	Engineer	Mechanical
---------	----------	------------



8000-CF	-1 Cast Iron Body with Satin Finish Nickel Bronze Top	-2 Cast Iron Body with Satin Finish Bronze Top	-12 Cast Iron Body with Ductile Iron Top	-85 Cast Iron Body with Satin Finish Stainless Steel Top
•				

Regularly Furnished: Cast iron cleanout with threaded adjustable housing, flanged ferrule, ABS plug, scoriated top & carpet flange.

Outlet Variations		•
Type	Designation	
No-Hub	3NH,4NH	
Push On Gasket	2TY,3TY,4TY	

Suffix Options		
Suffix	Description	•
-ARC	Acid Resistant Coating	
-VP	Vandal Proof Top Assembly	
-X	Heavy Duty Cover (Standard on -12)	
-26	Clamping Collar	
-39	Galvanized Cast Iron	
-75	Bronze Plug in Lieu of ABS	
-81	Gasketed Cover	
-83	Special Marking	

**Dimensions vary from illustration*