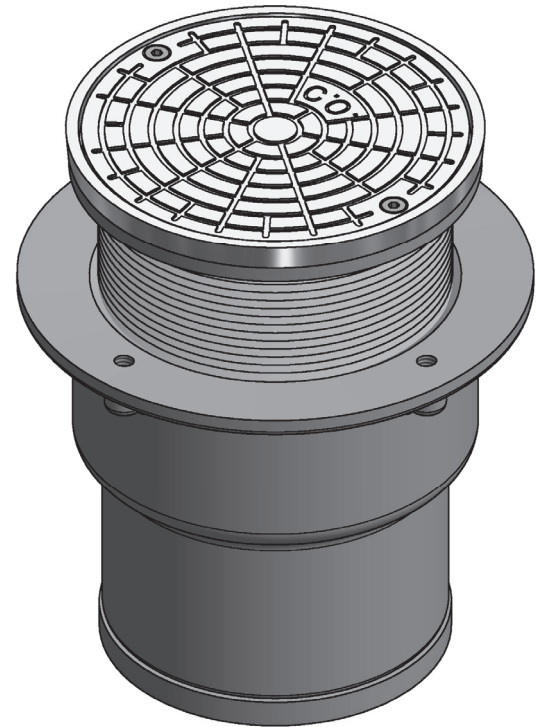
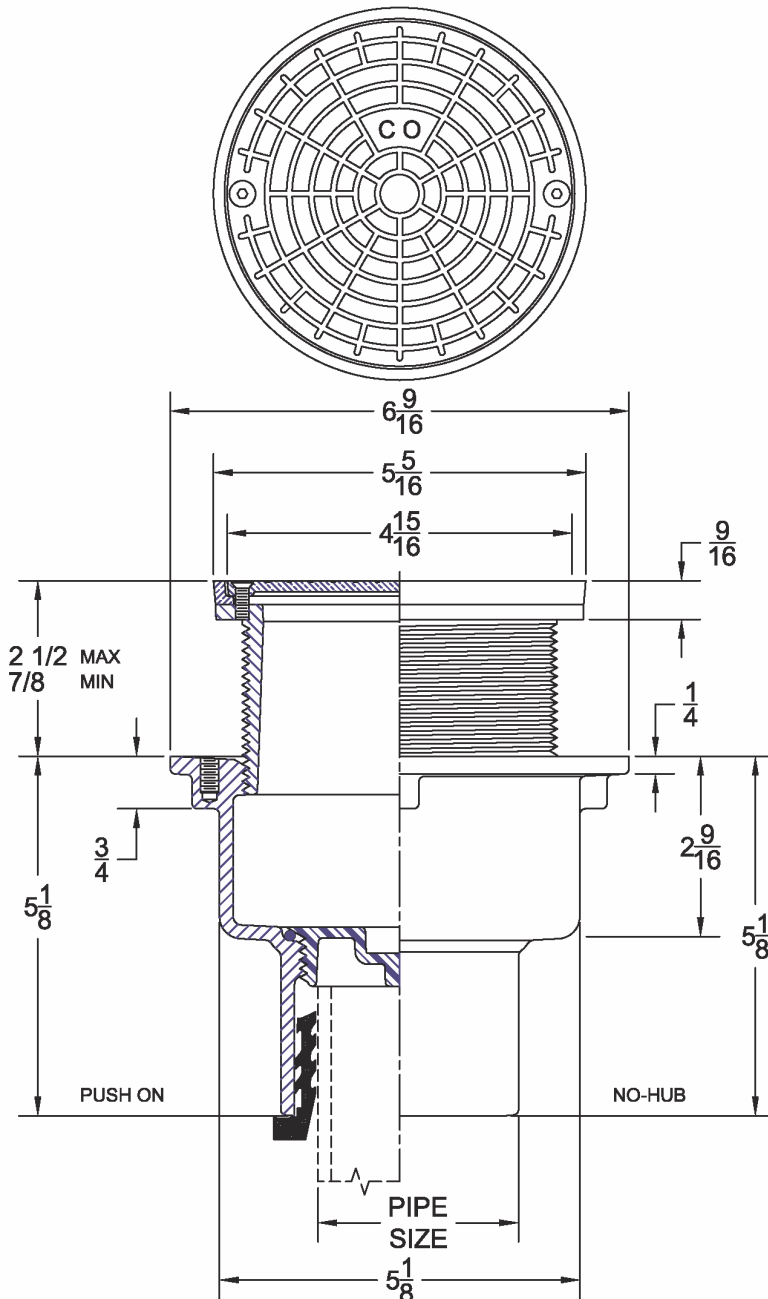


**8000** Adjustable Floor & Grade Cleanout

Project	Engineer	Mechanical
---------	----------	------------



Suffix Options		
Suffix	Description	•
-ARC	Acid Resistant Coating	
-CF	Carpet Flange	
-CM	Carpet Marker	
-E	Elastomeric Flange*	
-FC	Flooring Clamp	
-S	Square Cover*	
-T	Round Tile Floor Cover	
-TS	Square Tile Floor Cover*	
-U	Round Terrazzo Floor Cover	
-US	Square Terrazzo Floor Cover*	
-VP	Vandal Proof Top Assembly	
-X	Heavy Duty Cover (Standard on -12)	
-26	Clamping Collar	
-39	Galvanized Cast Iron	
-75	Bronze Plug in Lieu of ABS	
-81	Gasketed Cover	
-83	Special Marking	

8000	-1	-2	-12	-85
•	Cast Iron Body with Satin Finish Nickel Bronze Top	Cast Iron Body with Satin Finish Bronze Top	Cast Iron Body with Ductile Iron Top	Cast Iron Body with Satin Finish Stainless Steel Top

**Regularly Furnished:** Cast iron cleanout with threaded, adjustable housing, flanged ferrule, ABS plug, & scoriated top.

Outlet Variations		
Type	Designation	•
No-Hub	3NH,4NH	
Push On Gasket	2TY,3TY,4TY	

\*Dimensions vary from illustration