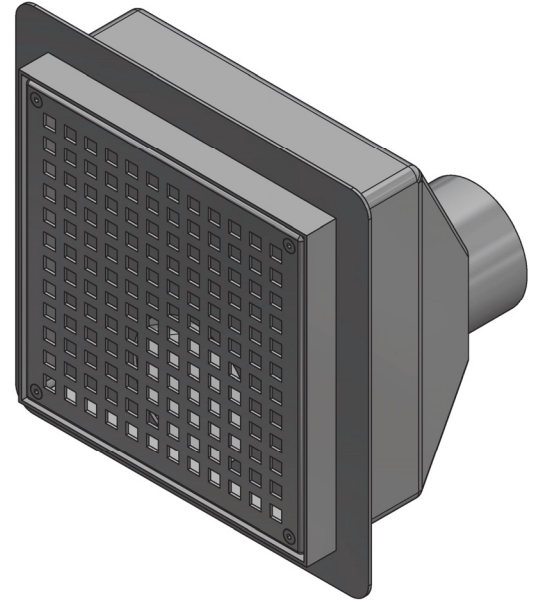


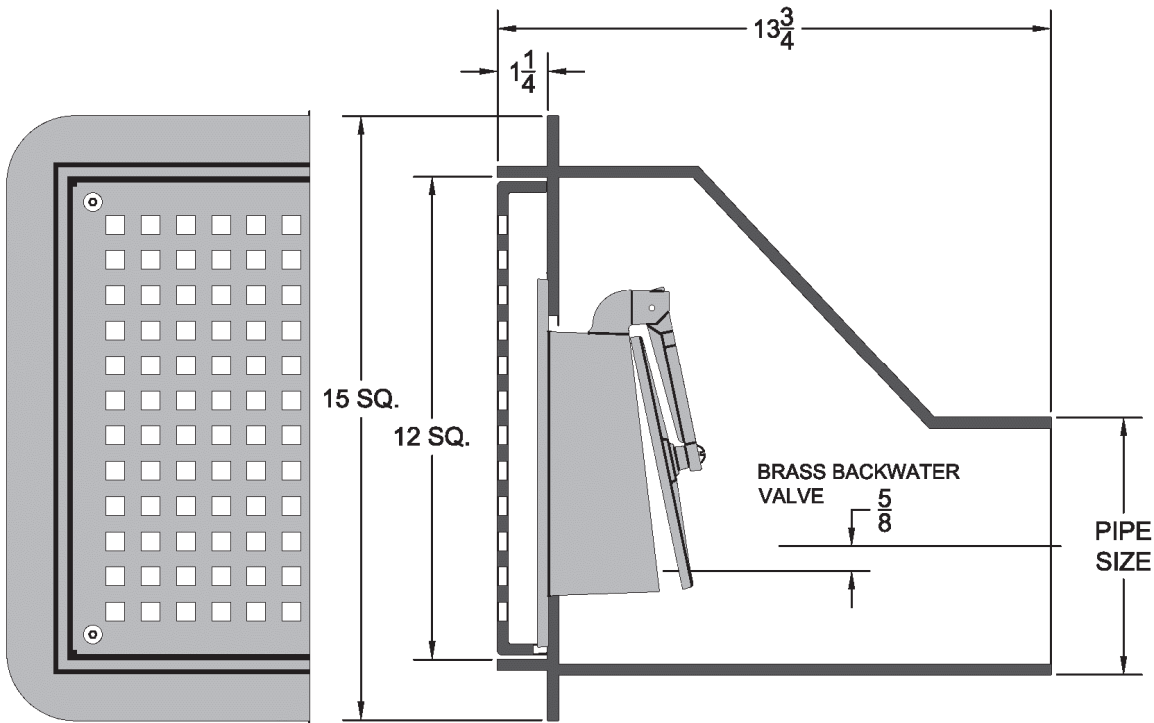
## 1780SS Side Wall Pit Drain

Regularly Furnished: 304 stainless steel square industrial floor side wall pit drain with anchor flange, medium duty loose set square hole pattern grate, backwater valve and side outlet.

Catalog No.	Pipe Size	Grate Free Area (Sq.In.)	•
1780SS-85	3	36.0	
	4		
	6		



Project	
Engineer	
Mechanical	



Outlet Options		
Suffix	Description	•
-BW	Butt-Weld Sch.10 (2BW, 3BW, 4BW)	
-NH	No-Hub (2NH, 3NH, 4NH)	

Suffix Options		
Suffix	Description	•
-VP	Vandal Proof (Secured Grate)	
-26	Membrane Clamp Device	
-316	316 Stainless Steel	