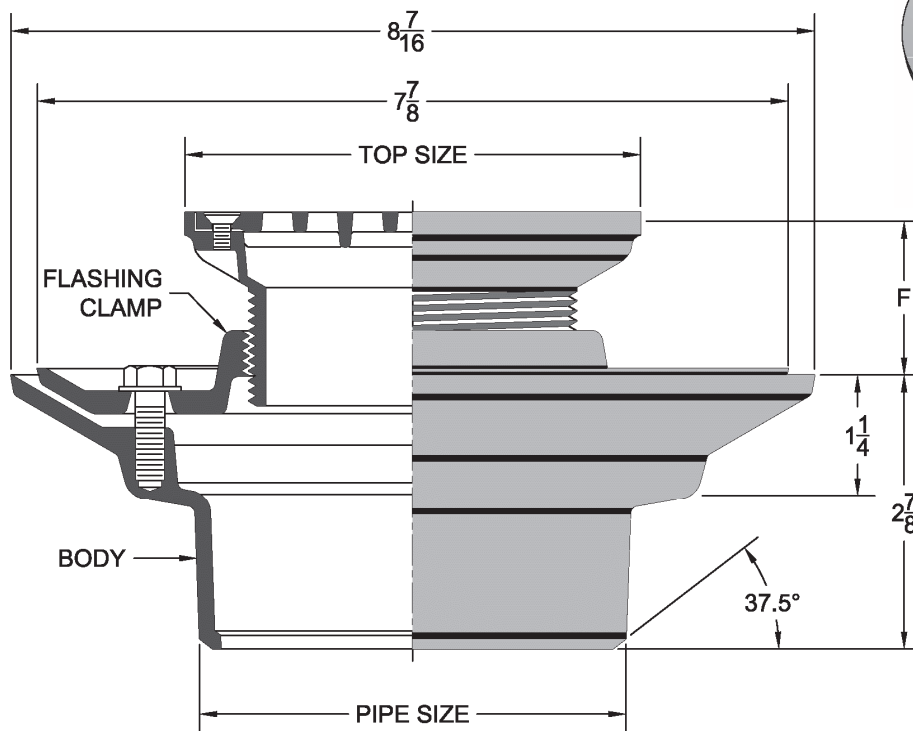
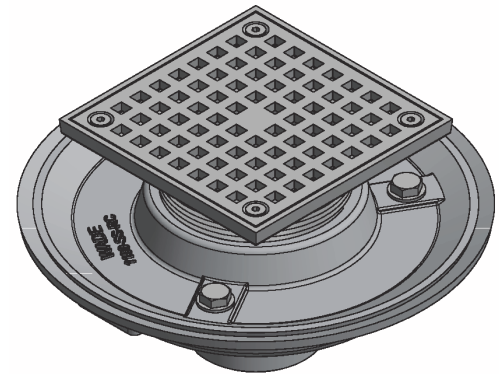


1100SS-G Floor Drain w/ Adjustable Square Strainer

Regularly Furnished: Cast 304 stainless steel round industrial floor drain with threaded adjustable strainer, medium duty secured square hole pattern grate, seepage openings and bottom outlet.

Catalog No. Top Style / Size	Grate Free Area (Sq.In.)	•
1100SS-G5-85	6.0	
1100SS-G6-85	7.0	
1100SS-G7-85	12.0	
1100SS-G8-85	16.0	
1100SS-G10-85	31.6	

Project	
Engineer	
Mechanical	



Top Size	F	
	Min	Max
5	1 1/2	2 1/8
6	1 1/2	2 1/8
7	1 1/2	2 1/8
8	1 1/2	2 1/8
10	1 5/16	2 3/16

Outlet Options		
Suffix	Description	•
-BW	Butt-Weld Sch.10 (2BW, 3BW, 4BW)	
-NH	No-Hub (2NH, 3NH, 4NH)	

Suffix Options		
Suffix	Description	•
-SO	Side Outlet	
-TSD	Trap Seal Device	
-VP	Vandal Proof (Secured Grate)	
-6	1/2" NPT Trap Primer Connection	
-18	Solid Cover	
-27	Sediment Basket	
-31	Backwater Valve	
-316	316 Stainless Steel	

Funnel Options		
Suffix	Description	•
-EF4	4" Diameter Funnel (4" High)	
-EF6	6" Diameter Funnel (4" High)	
-EG8	3-1/2 x 8-1/4 Elongated Funnel (3-1/2" High)	