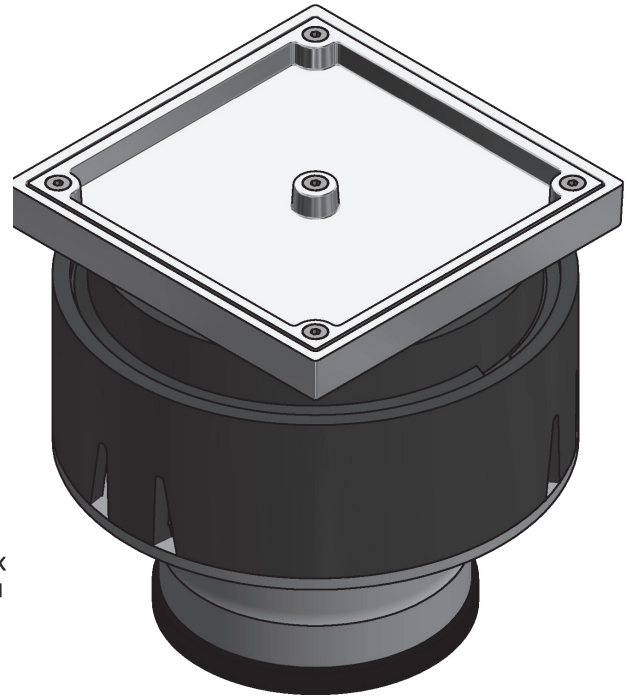
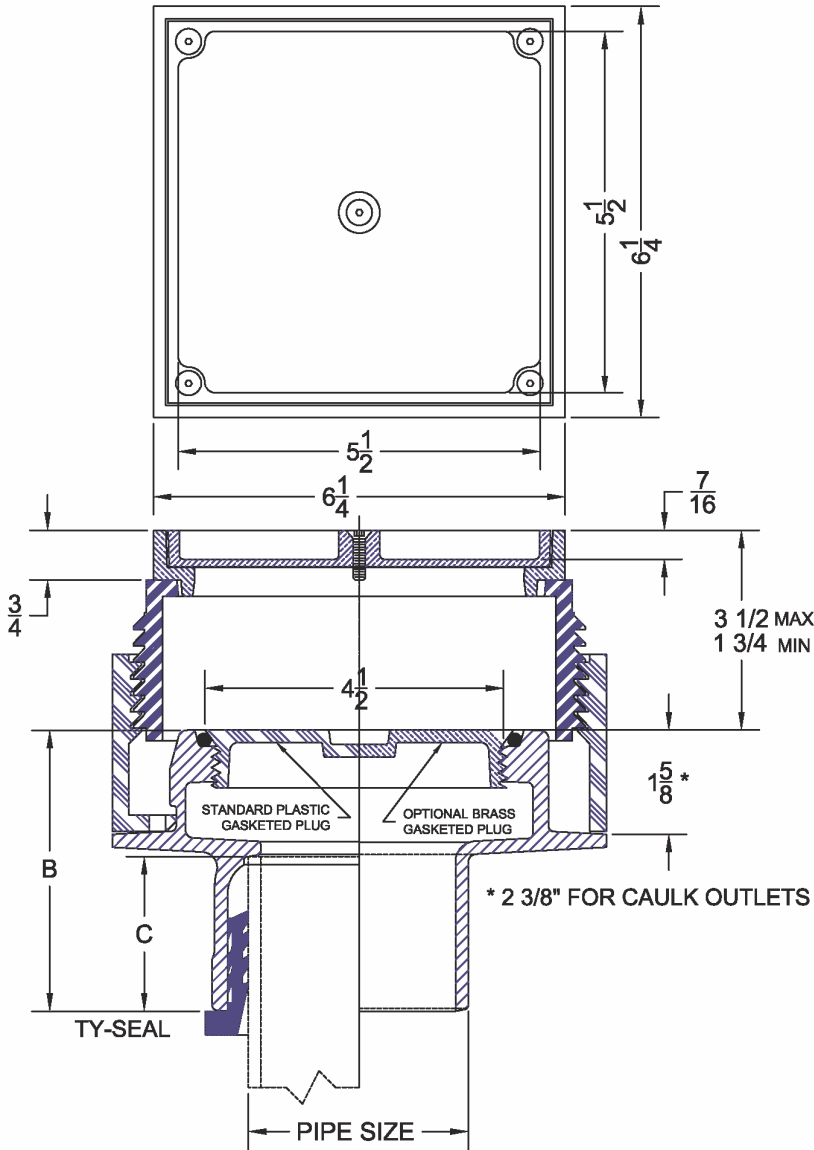


6000-US Adjustable Floor / Grade Cleanout with Square Terrazzo Top

Project	Engineer	Mechanical
---------	----------	------------



6000-US	-1 Cast Iron Body with Satin Finish Nickel Bronze Top	-2 Cast Iron Body with Satin Finish Bronze Top
•		

Pipe Size	Push-On		No-Hub	Inside Caulk
	B	C	B	B
2"	4-1/4	2-3/8	4-1/4	6-1/2
3"	4-1/4	2-3/8	4-1/4	6-1/2
4"	4-1/4	2-1/2	4-1/4	6-1/2
5"	4-1/4	2-1/2	4-1/4	N/A
6"	4-3/8	2-5/8	4-1/4	N/A

Regularly Furnished: Cast iron cleanout with threaded, adjustable housing, flanged ferrule, integral clamping collar, ABS plug, & square top recessed for terrazzo or tile.

**Dimensions vary from illustration*

Suffix Options		•
Suffix	Description	
-ARC	Acid Resistant Coating	
-VP	Vandal Proof Top Assembly	
-X	Heavy Duty Cover (Standard on -12)	
-39	Galvanized Cast Iron	
-75	Bronze Plug in Lieu of Plastic	
-81	Gasketed Cover	
-83	Special Marking	

Outlet Variations		•
Type	Designation	
Inside Caulk	2IC,3IC,4IC	
No-Hub	2NH,3NH,4NH,6NH	
Push On Gasket	2TY,3TY,4TY,6TY(CI),6TX(PVC)	