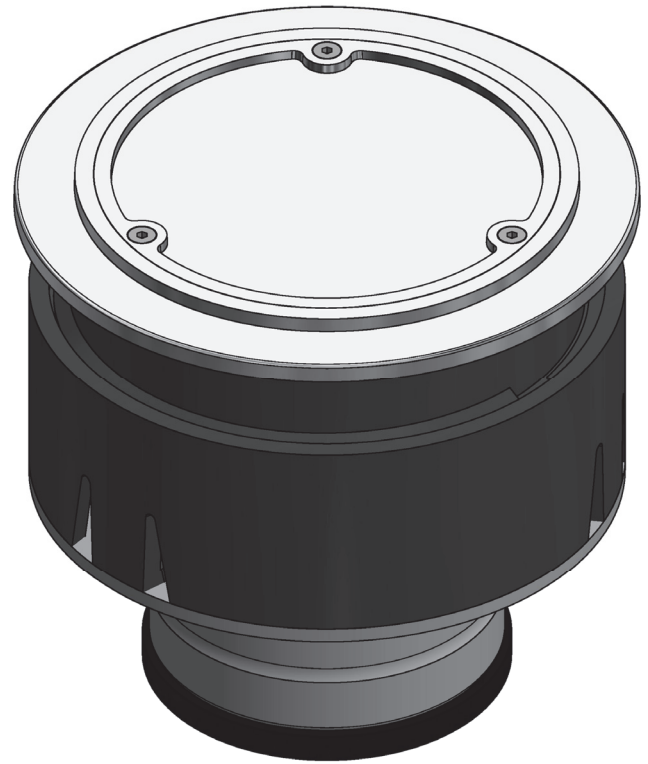
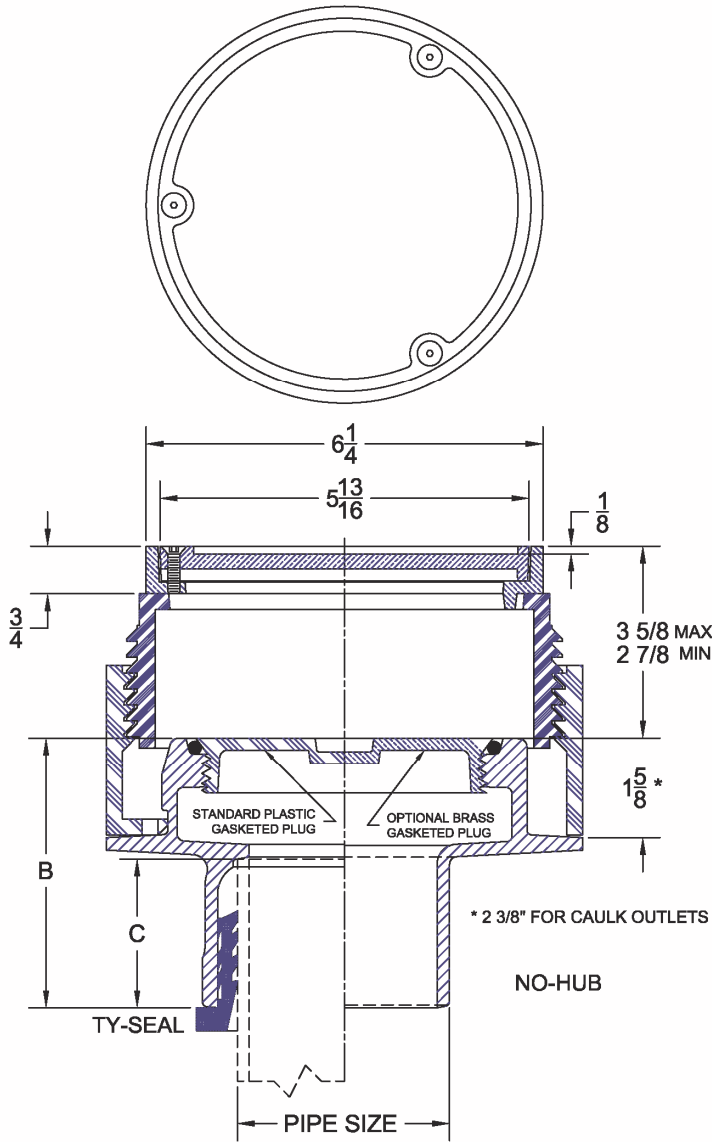


6000-T Adjustable Floor / Grade Cleanout with Round Tile Top

| | | |
|---------|----------|------------|
| Project | Engineer | Mechanical |
|---------|----------|------------|



| 6000-T | -1 Cast Iron Body with Satin Finish Nickel Bronze Top | -2 Cast Iron Body with Satin Finish Bronze Top |
|--------|--|---|
| • | | |

| Pipe Size | Push-On | | No-Hub | Inside Caulk |
|-----------|---------|-------|--------|--------------|
| | B | C | B | B |
| 2" | 4-1/4 | 2-3/8 | 4-1/4 | 6-1/2 |
| 3" | 4-1/4 | 2-3/8 | 4-1/4 | 6-1/2 |
| 4" | 4-1/4 | 2-1/2 | 4-1/4 | 6-1/2 |
| 5" | 4-1/4 | 2-1/2 | 4-1/4 | N/A |
| 6" | 4-3/8 | 2-5/8 | 4-1/4 | N/A |

Regularly Furnished: Cast iron cleanout with threaded, adjustable housing, flanged ferrule, integral clamping collar, ABS plug, & round top recessed for tile or sheet flooring.

**Dimensions vary from illustration*

| Outlet Variations | | • |
|-------------------|------------------------------|---|
| Type | Designation | |
| Inside Caulk | 2IC,3IC,4IC | |
| No-Hub | 2NH,3NH,4NH,6NH | |
| Push On Gasket | 2TY,3TY,4TY,6TY(CI),6TX(PVC) | |

| Suffix Options | | • |
|----------------|--------------------------------|---|
| Suffix | Description | |
| -ARC | Acid Resistant Coating | |
| -VP | Vandal Proof Top Assembly | |
| -X | Heavy Duty Cover | |
| -39 | Galvanized Cast Iron | |
| -75 | Bronze Plug in Lieu of Plastic | |
| -81 | Gasketed Cover | |
| -83 | Special Marking | |