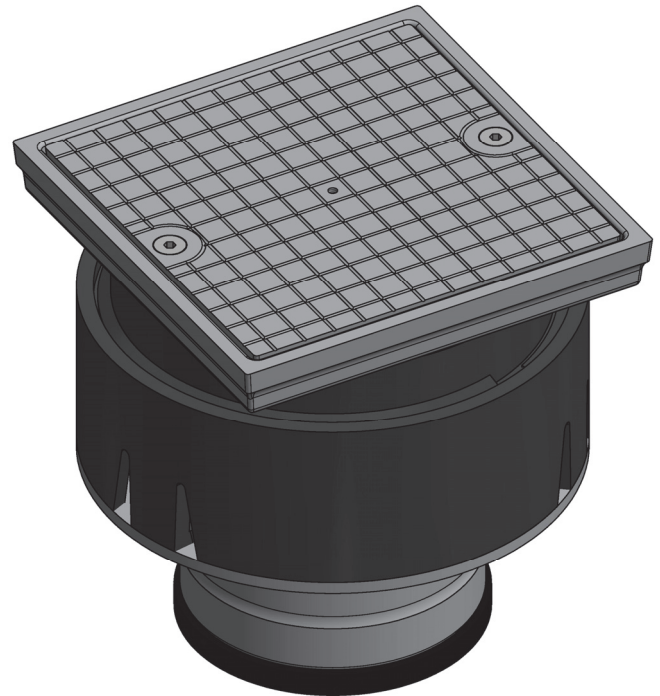
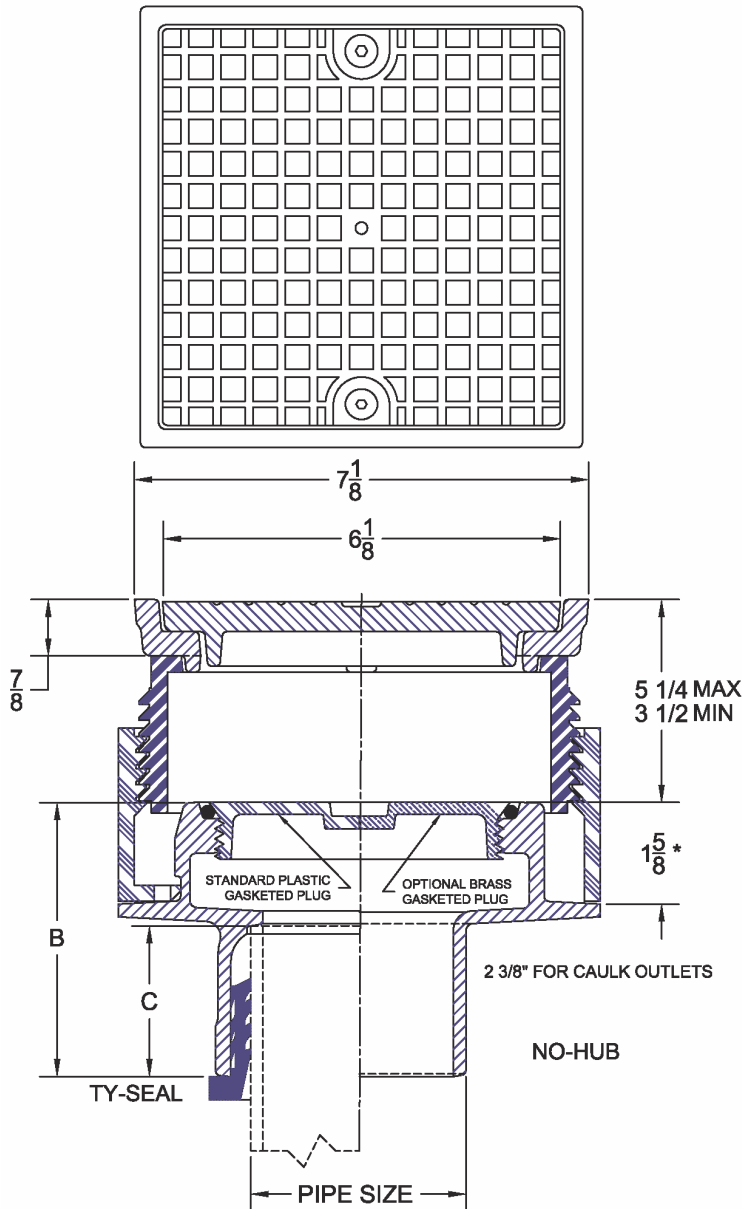


6000-12-S Adjustable Floor & Grade Cleanout with Square Top

Project	Engineer	Mechanical
---------	----------	------------



**Dimensions vary from illustration*

6000-12-S

Regularly Furnished: Cast iron cleanout with threaded, adjustable housing, flanged ferrule, integral clamping collar, ABS plug and square top with ductile iron scoriated secured cover.

Pipe Size	Push-On		No-Hub	Inside Caulk
	B	C	B	B
2"	4-1/4	2-3/8	4-1/4	6-1/2
3"	4-1/4	2-3/8	4-1/4	6-1/2
4"	4-1/4	2-1/2	4-1/4	6-1/2
5"	4-1/4	2-1/2	4-1/4	N/A
6"	4-3/8	2-5/8	4-1/4	N/A

Suffix Options	
Suffix	Description
-ARC	Acid Resistant Coating
-VP	Vandal Proof Top Assembly
-39	Galvanized Cast Iron
-75	Brass Plug in Lieu of Plastic
-81	Gasketed Cover
-83	Special Marking

Outlet Variations	
Type	Designation
Inside Caulk	2IC,3IC,4IC
No-Hub	2NH,3NH,4NH,6NH
Push On Gasket	2TY,3TY,4TY,6TY(CI),6TX(PVC)