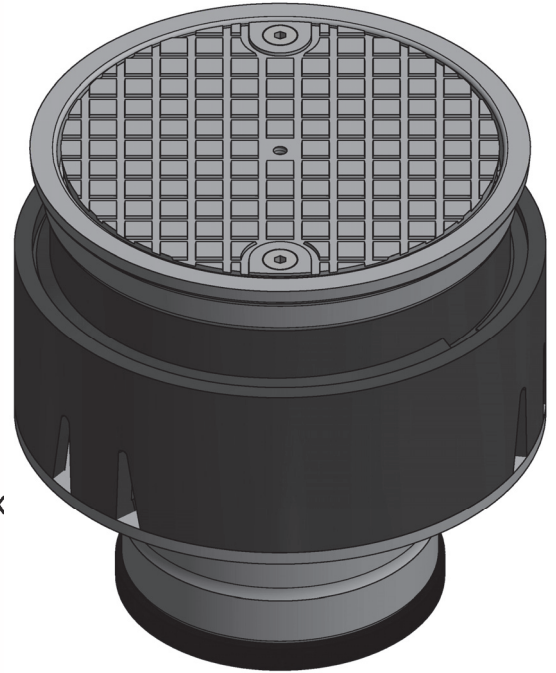
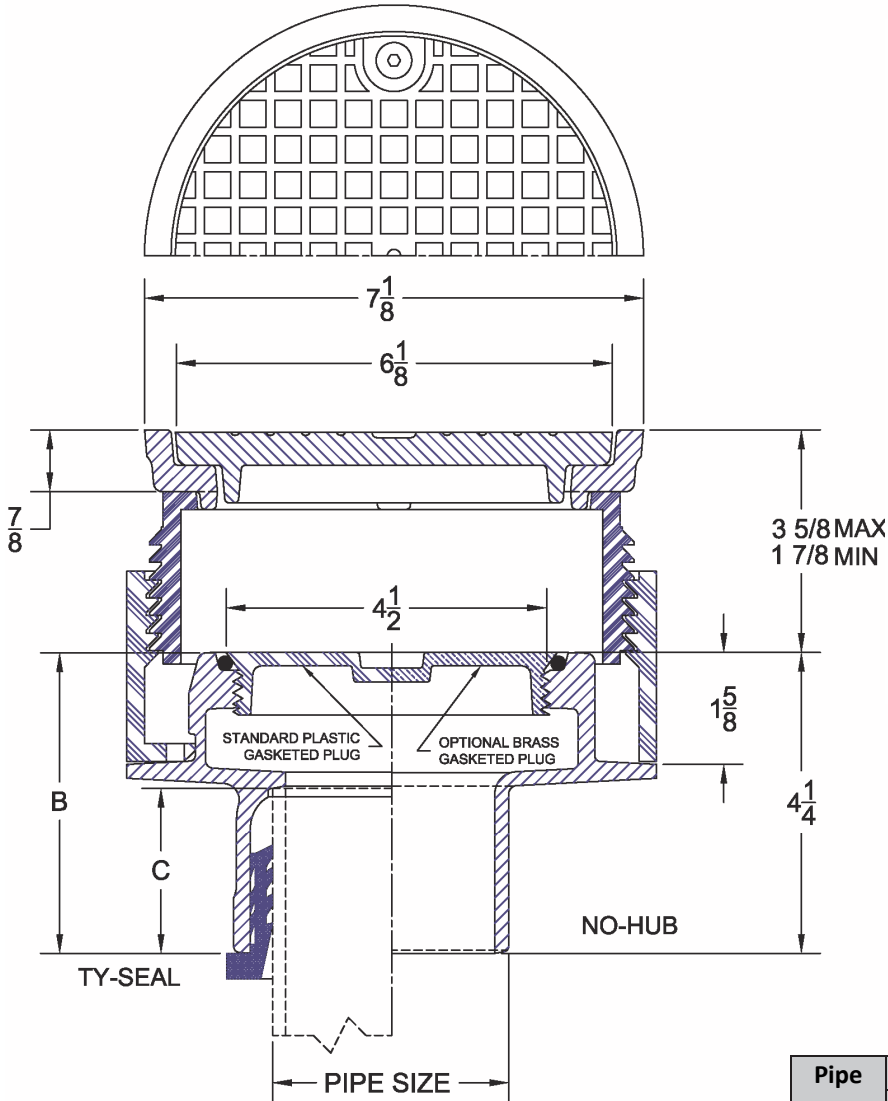


6000-12 Adjustable Floor & Grade Cleanout

| | | |
|---------|----------|------------|
| Project | Engineer | Mechanical |
|---------|----------|------------|



| | |
|----------------|---|
| 6000-12 | -12 Cast Iron Body with Ductile Iron Top |
| | • |

| Pipe Size | Push-On | | No-Hub | Inside Caulk |
|-----------|---------|-------|--------|--------------|
| | B | C | B | B |
| 2" | 4-1/4 | 2-3/8 | 4-1/4 | 6-1/2 |
| 3" | 4-1/4 | 2-3/8 | 4-1/4 | 6-1/2 |
| 4" | 4-1/4 | 2-1/2 | 4-1/4 | 6-1/2 |
| 5" | 4-1/4 | 2-1/2 | 4-1/4 | N/A |
| 6" | 4-3/8 | 2-5/8 | 4-1/4 | N/A |

Regularly Furnished: Cast iron cleanout with threaded, adjustable housing, flanged ferrule, integral clamping collar, ABS plug, & round top with secured scoriated cover.

**Dimensions vary from illustration*

| Suffix Options | | • |
|----------------|-------------------------------|---|
| Suffix | Description | |
| -ARC | Acid Resistant Coating | |
| -CF | Carpet Flange | |
| -CM | Carpet Marker | |
| -E | Elastomeric Flange* | |
| -S | Square Cover* | |
| -VP | Vandal Proof Top Assembly | |
| -39 | Galvanized Cast Iron | |
| -75 | Brass Plug in Lieu of Plastic | |
| -81 | Gasketed Cover | |
| -83 | Special Marking | |

| Outlet Variations | | • |
|-------------------|------------------------------|---|
| Type | Designation | |
| Inside Caulk | 2IC,3IC,4IC | |
| No-Hub | 2NH,3NH,4NH,6NH | |
| Push On Gasket | 2TY,3TY,4TY,6TY(CI),6TX(PVC) | |