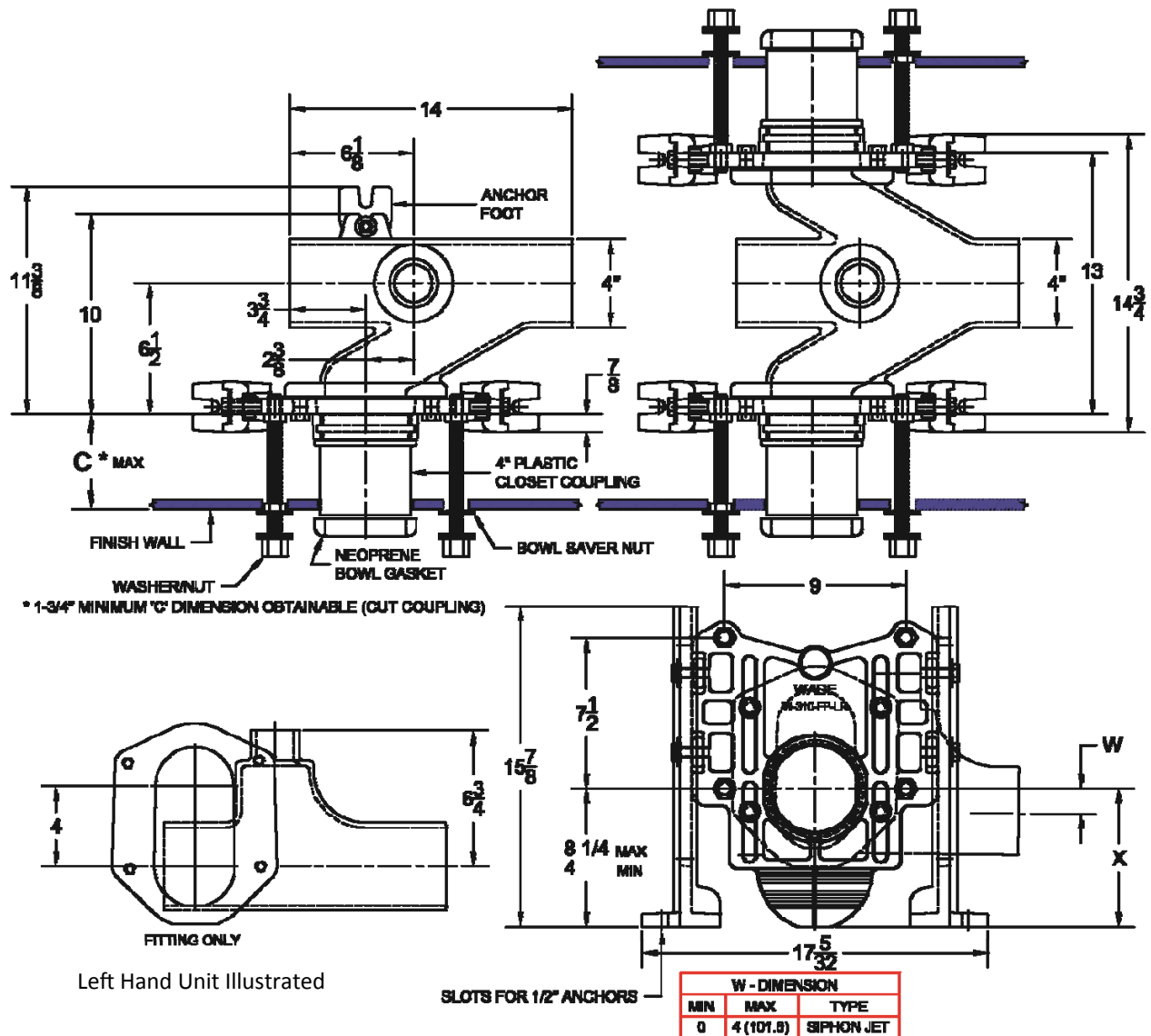


## 311LR Horizontal, Adjustable Water Closet Support (Low Rough-In) 300 Lb.

Project	Engineer	Mechanical
---------	----------	------------



Left Hand Unit Illustrated

\*X DIMENSION SHOULD EQUAL FIXTURE ROUGH-IN HEIGHT  
LUGS ARE REMOVABLE

Model	Orientation	Connection Type
311LR-NL3	Left	No-Hub
311LR-NR3	Right	
311LR-ND3	Double	
311LR-NL4	Left	
311LR-NR4	Right	
311LR-ND4	Double	

**Regularly Furnished:** Horizontal water closet carrier with floor mounted foot support, rear anchor, 7" ABS coupling with o-ring seal, test cap, threaded zinc plated support studs and hardware, stud protectors, neoprene bowl basket, chrome plated cap nuts, & adjustable low rough-in faceplate.

\*Dimensions vary from illustration

Suffix Options			Suffix Options		
Suffix	Description	•	Suffix	Description	•
-AM1	Flush Valve Support		-M3	Vandal Proof Hardware	
-AM21	Tiling Flange		-M4	Rod Supported Feet	
-ECC	Extending Coupling & Hardware (Per Inch)		-M14	Floor Mounted, Back Outlet Adapter	
-FPO	Adjustable, All Thread ABS Coupling		-M26	Adjustable Cast Iron Coupling	
-UA	Urinal Auxiliary Inlet (2" No-Hub)*		-36	36" Extended Barrel (Not Available 3")*	