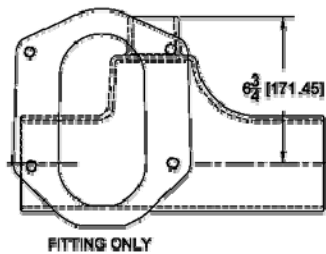
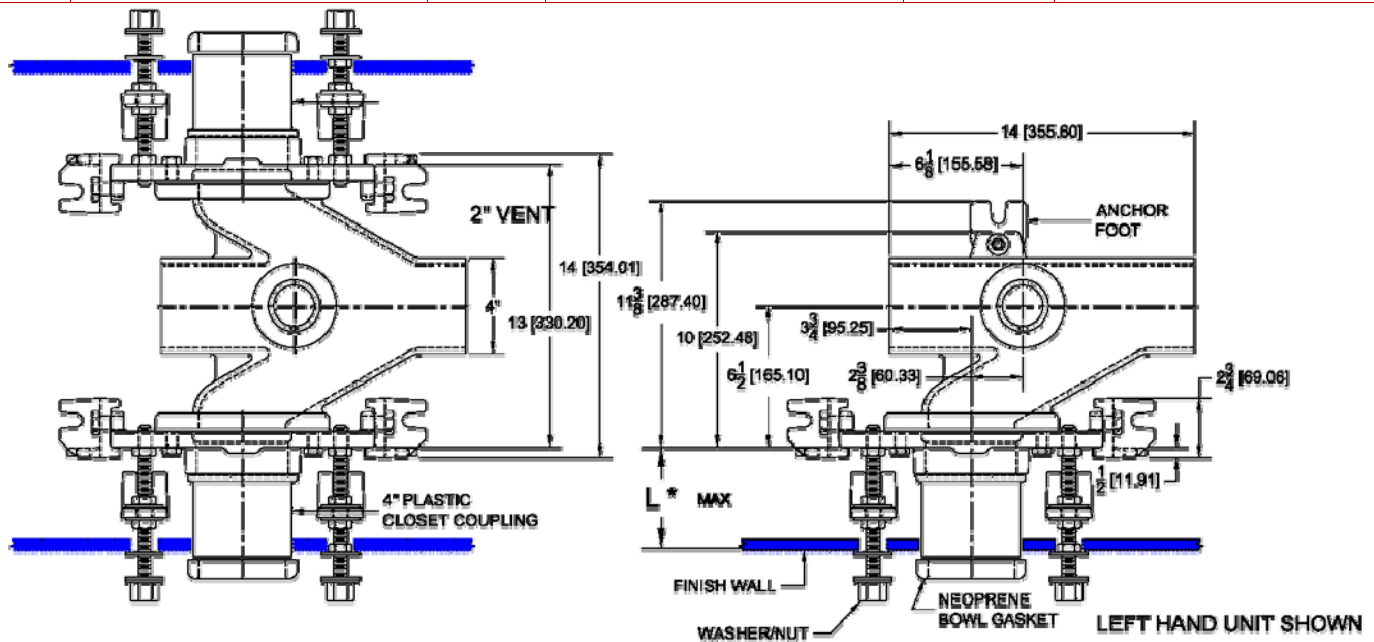


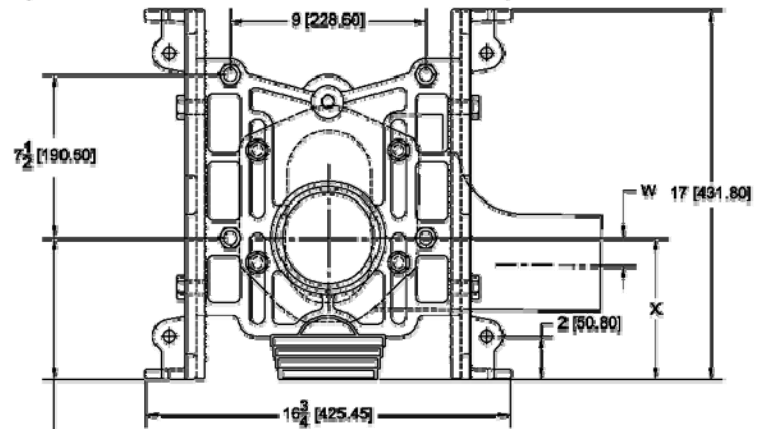
## 311HD Heavy Duty Horizontal Adjustable Water Closet Support (500 LB)

Project	Engineer	Mechanical
---------	----------	------------



Left Hand Unit Illustrated

\*6" MAX (1-3/4" MINIMUM 'L' DIMENSION OBTAINABLE CUT COUPLING)



MAX 9 1/2 [241.30]  
MIN 4 1/2 [114.30]

W - DIMENSION		
MIN	MAX	TYPE
0	4 (101.6)	SIPHON/JET

\*X DIMENSION SHOULD EQUAL FIXTURE ROUGH-IN HEIGHT  
LUGS ARE REMOVABLE IN 1/2" INCREMENTS

Model	Orientation	Connection Type
311HD-NL3	Left	No-Hub
311HD-NR3	Right	
311HD-ND3	Double	
311HD-NL4	Left	
311HD-NR4	Right	
311HD-ND4	Double	

**Regularly Furnished:** Horizontal water closet carrier with floor mounted foot support, rear anchor, 7" ABS coupling with o-ring seal, test cap, threaded zinc plated support studs and hardware, stud protectors, neoprene bowl basket, chrome plated cap nuts, rod support feet & adjustable faceplate.

Suffix Options		
Suffix	Description	
-AM1	Flush Valve Support	
-AM21	Tiling Flange	
-ECC	Extending Coupling & Hardware (Per Inch)	
-FPO	Adjustable, All Thread ABS Coupling	
-LR	Low Rough Faceplate*	
-UA	Urinal Auxiliary Inlet (2" No-Hub)*	

Suffix Options		
Suffix	Description	
-M3	Vandal Proof Hardware	
-M26	Adjustable Cast Iron Coupling	
-36	36" Extended Barrel*	

\*Dimensions vary from illustration