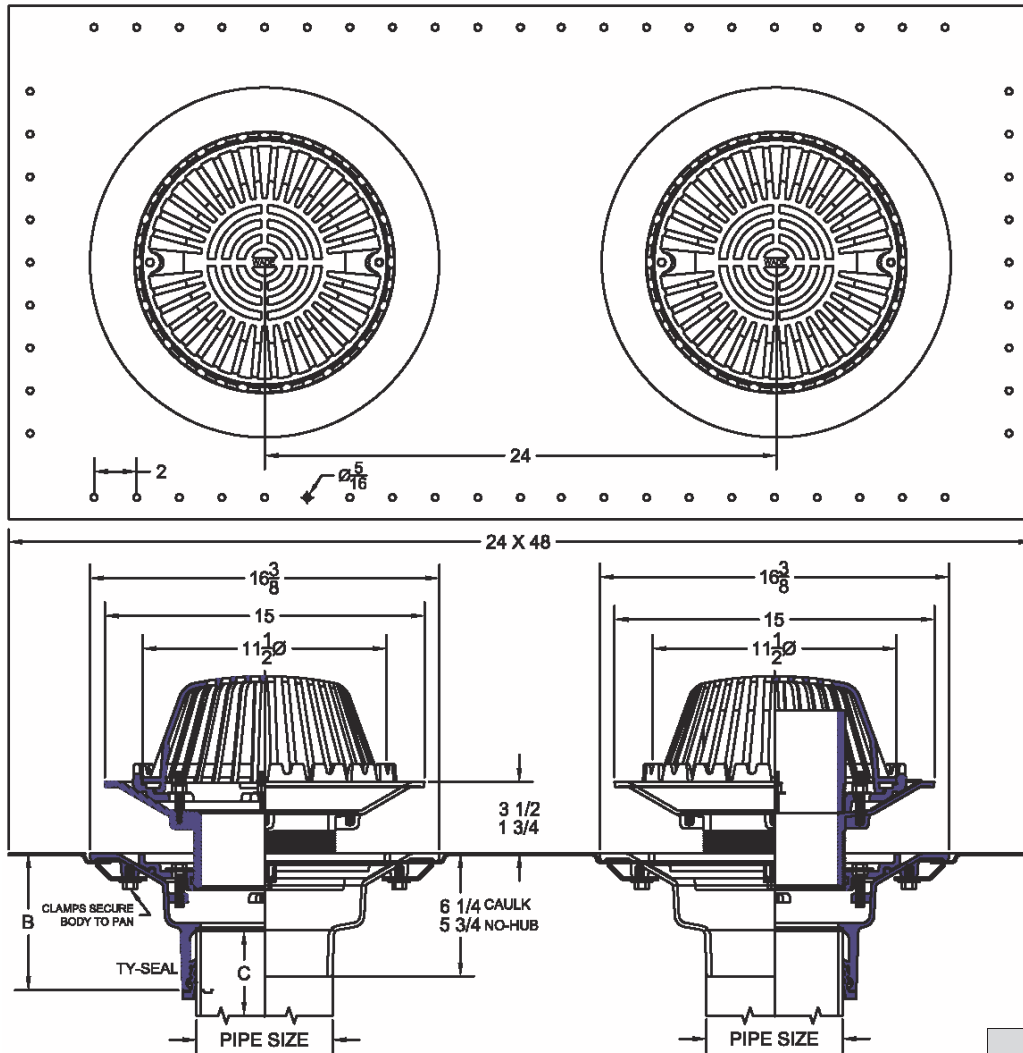


## 3041-ADF 16-3/8" Diameter, Combination Roof & Overflow Drain

Project	Engineer	Mechanical
---------	----------	------------



Dome Free Area  
113.5 Sq. In.

Dimensions (In.)		
Pipe Size	B	C
2"	6 3/8	2 1/2
3"	6 5/8	2 3/4
4"	6 7/8	3
6"	6 3/8	3

3041-ADF	-3	-32	-42	-46
	Cast Iron Body with Rough Bronze Dome	Cast Iron Body with Poly Dome	Cast Iron Body with Cast Iron Dome	Cast Iron Body with Aluminum Dome

Outlet Variations		
Type	Designation	
Inside Caulk	2IC,3IC,4IC,5IC,6IC	
No-Hub	2NH,3NH,4NH,5NH,6NH,8NH	
Push On Gasket	2TY,3TY,4TY,6TY(CI),6TX(PVC)	
Threaded	2IPS,3IPS,4IPS,5IPS,6IPS,8IPS	

Optional Extensions		
Suffix	Description	
-ADF	Adjustable Extension*	Painted -39 Galv
-AE	Adjustable Deck Riser*	Painted -39 Galv
-DF	Fixed Extension (1",2",3" or 4")*	Painted -39 Galv

**Regularly Furnished:** Cast iron roof & overflow drain with flange, flashing ring, gravel stop, bearing pan with hardware, internal overflow dam and adjustable extension.

Suffix Options		
Suffix	Description	
-ARC	Acid Resistant Coating	
-DFS	Perforated Stainless Steel Extension (1"-4")* For Each Additional 1" (Add / In.)	
-DP	Perforated Stainless Steel Gravel Stop (4") *	
-VP	Vandal Proof Top Assembly	
-39	Galvanized Cast Iron	-32 -42
-49	Bronze Mesh Over Dome	
-50	Stainless Steel Mesh Over Dome	