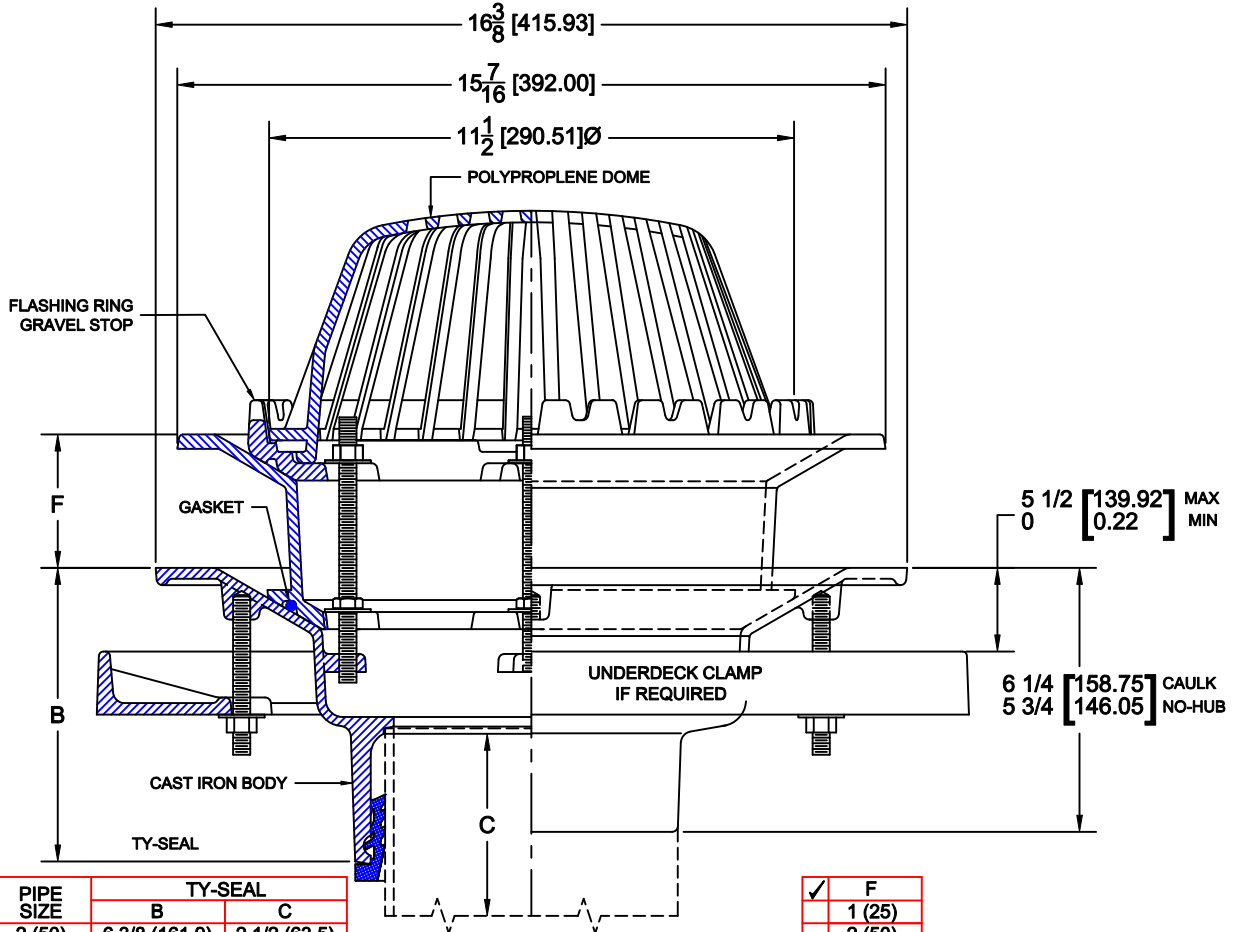


# ROOF DRAIN



## 3000-DF

CAST IRON ROOF DRAIN WITH POLY LOCKING DOME, FLASHING RING INTEGRAL WITH GRAVEL STOP, FIXED EXTENSION, ZINC PLATED HARDWARE AND BOTTOM OUTLET



PIPE SIZE	TY-SEAL	
	B	C
2 (50)	6 3/8 (161.9)	2 1/2 (63.5)
3 (75)	6 5/8 (168.3)	2 3/4 (69.8)
4 (100)	6 7/8 (174.6)	3 (76.2)
6 (150)	6 3/8 (161.9)	3 (76.2)

✓	F
	1 (25)
	2 (50)
	3 (75)
	4 (100)

Approval Date  
 Customer Approval  
 Wade Division / Tyler Pipe Assumes No Responsibility For Superseded or Voided Data  
 Job Location  
 Dimensional Data (Inches/mm) are Subject to Manufacturers Tolerance and Change Without Notice.  
 Job Name

Cat. No.	Pipe Size	Wt. Lbs.
<input type="checkbox"/> 3002-DF	2 (50)	84.0
<input type="checkbox"/> 3003-DF	3 (75)	84.5
<input type="checkbox"/> 3004-DF	4 (100)	84.5
<input type="checkbox"/> 3005-DF	5 (125)	85.0
<input type="checkbox"/> 3006-DF	6 (150)	85.5
<input type="checkbox"/> 3008-DF	8 (200)	

**OUTLETS**

NH NO-HUB     
  TY TY-SEAL     
  IC INSIDE CAULK     
  IPS THREADED

**OPTIONS**

Suffix	Description
<input type="checkbox"/> 3	BRONZE LOCKING DOME
<input type="checkbox"/> 5	VANDAL PROOF (SECURED DOME)
<input type="checkbox"/> 39	GALVANIZED IRON PARTS
<input type="checkbox"/> 42	CAST IRON LOCKING DOME
<input type="checkbox"/> 46	ALUMINUM LOCKING DOME
<input type="checkbox"/> 52	BEARING PAN
<input type="checkbox"/> 53	UNDERDECK CLAMP