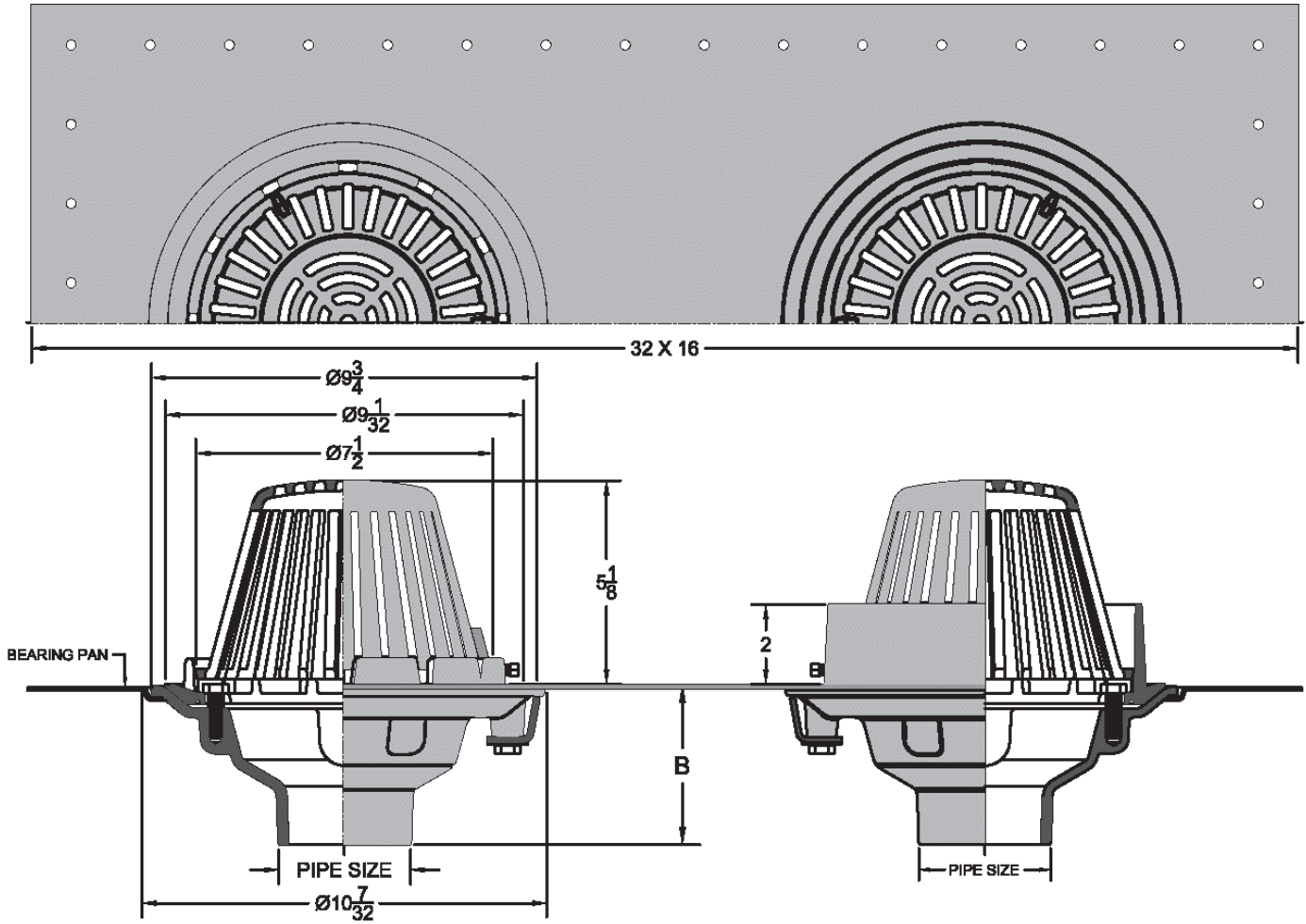


## 3043 9-3/4" Diameter, Combination Roof & Overflow Drain

Project	Engineer	Mechanical
---------	----------	------------



3043	-3 Cast Iron Body with Rough Bronze Dome	-32 Cast Iron Body with Poly Dome	-42 Cast Iron Body with Cast Iron Dome	-46 Cast Iron Body with Aluminum Dome
•				

Outlet	No-Hub	Push-On	Inside Caulk	Threaded
B	4	4-1/4	4-3/4	3-1/4

Dome Free Area  
43.0 Sq. In.

**Regularly Furnished:** Cast iron roof & overflow drain with flange, flashing ring, gravel stop, bearing pan with hardware, & external overflow dam.

Outlet Variations		
Type	Designation	•
No-Hub	2NH,3NH,4NH	
	6NH	
Push-On Gasket	2TY,3TY,4TY	
Inside Caulk	2IC,3IC,4IC	
Threaded	2IPS,3IPS,4IPS	

Suffix Options		
Suffix	Description	•
-ARC	Acid Resistant Coating	
-DFS	Perforated Stainless Steel Extension*	
	For Each Additional 1" (Add / In.)	
-DP	Perforated Stainless Steel Gravel Stop (4") *	
-VP	Vandal Proof Top Assembly	
-39	Galvanized Cast Iron	-32
		-42
-49	Bronze Mesh Over Dome	
-50	Stainless Steel Mesh Over Dome	

Optional Extensions		
Suffix	Description	•
-DF	Fixed Extension (2" High)*	Painted
		-39 Galv
	For Each Additional 1" (Add / In.)	Painted
		-39 Galv

\*Dimensions vary from illustration