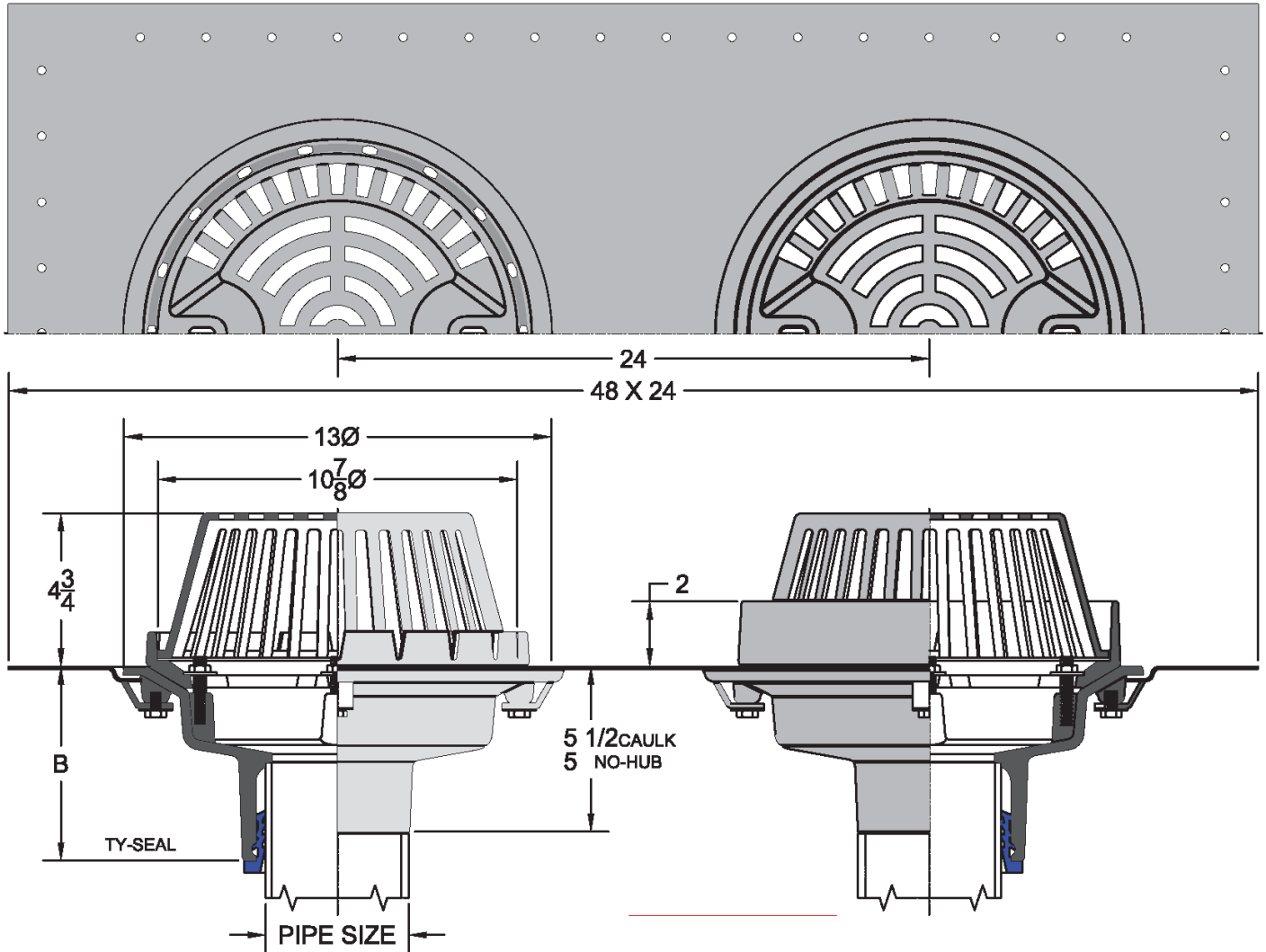


## 3042 13" Diameter, Combination Roof & Overflow Drain

Project	Engineer	Mechanical
---------	----------	------------



3042	-3 Cast Iron Body with Rough Bronze Dome	-32 Cast Iron Body with Poly Dome	-42 Cast Iron Body with Cast Iron Dome	-46 Cast Iron Body with Aluminum Dome
•				

Dimensions (In.)	
Pipe Size	B
2"	5 1/2
3"	5 3/4
4"	5 3/4

Dome Free Area  
75.0 Sq. In.

**Regularly Furnished:** Cast iron roof & overflow drain with flange, flashing ring, gravel stop, bearing pan with hardware, & external overflow dam.

Outlet Variations		
Type	Designation	•
Inside Caulk	2IC,3IC,4IC,5IC,6IC	
No-Hub	2NH,3NH,4NH,5NH,6NH	
Push On Gasket	2TY,3TY,4TY	
Threaded	3IPS,4IPS	

Optional Extensions		
Suffix	Description	•
-DF	Fixed Extension (1.5,2.5,3.5 or 4.5")* Painted -39 Galv	

Suffix Options		
Suffix	Description	•
-ARC	Acid Resistant Coating	
-DFS	Perforated Stainless Steel Extension (1"-4") * For Each Additional 1" (Add / In.)	
-DP	Perforated Stainless Steel Gravel Stop (4") *	
-VP	Vandal Proof Top Assembly	
-39	Galvanized Cast Iron	-32 -42
-49	Bronze Mesh Over Dome	
-50	Stainless Steel Mesh Over Dome	

\*Dimensions vary from illustration