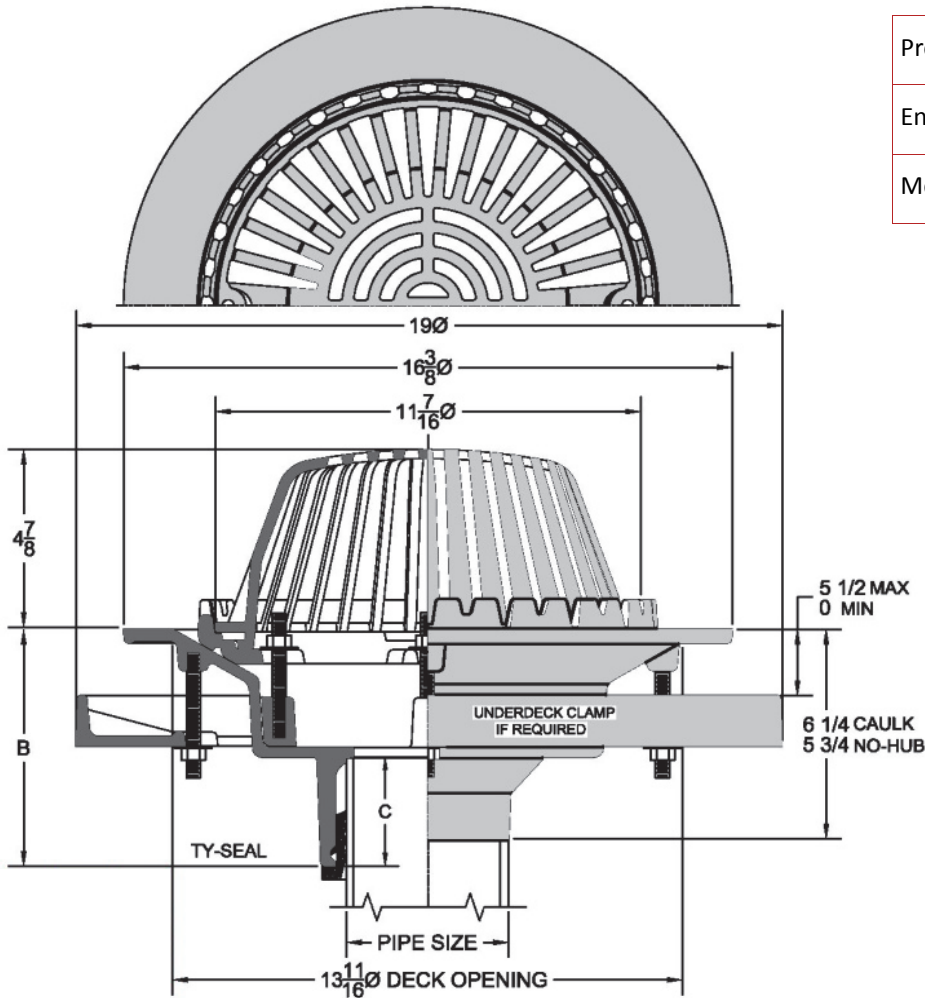


3000 16-3/8" Diameter, Large Area Roof Drain



Project	
Engineer	
Mechanical	

Dome Free Area
113.5 Sq. In.

Dimensions (In.)		
Pipe Size	B	C
2"	6 3/8	2 1/2
3"	6 5/8	2 3/4
4"	6 7/8	3
6"	6 3/8	3

*Dimensions vary from illustration

3000	-3	-32	-40	-42	-46
	Cast Iron Body with Rough Bronze Dome	Cast Iron Body with Poly Dome	Cast Iron Body with Galv. Cast Iron Dome	Cast Iron Body with Cast Iron Dome	Cast Iron Body with Aluminum Dome
•					

Regularly Furnished: Cast iron roof drain with flange, flashing ring, gravel stop, & locking dome.

Outlet Variations		
Type	Designation	•
Inside Caulk	2IC,3IC,4IC,5IC,6IC	
No-Hub	2NH,3NH,4NH,5NH,6NH,8NH	
Push On Gasket	2TY,3TY,4TY,6TY(CI),6TX(PVC)	
Threaded	2IPS,3IPS,4IPS,5IPS,6IPS,8IPS	

Optional Extensions			
Suffix	Description		•
-ADF	Adjustable Extension*	Painted	
		-39 Galv	
-AE	Adjustable Deck Riser*	Painted	
		-39 Galv	
-DF	Fixed Extension (1", 2", 3" or 4") *	Painted	
		-39 Galv	
-EB	Adjustable Drain Extension Pan*		

Suffix Options

Suffix	Description	•	
-ARC	Acid Resistant Coating		
-AW	Adjustable Water Level Regulator		
-D	2" External Overflow Dam*		
-DP	Perforated Stainless Steel Gravel Stop (4") *		
-DFS	Perforated Stainless Steel Extension (1"-4") *		
	For Each Additional 1" (Add / In.)		
-E	Elastomeric Flange*		
-LGS	Less Gravel Stop		
-SD	Adjustable Internal Overflow Dam*		
-SO	90 Degree Side Outlet (3NH,4NH,6NH)*		
-VP	Vandal Proof Top Assembly		
-39	Galvanized Cast Iron	-32	
		-42	
-48	Flush Grate in Lieu of Dome*		
-49	Bronze Mesh Over Dome		
-50	Stainless Steel Mesh Over Dome		
-52	Sump Receiver*		
-53	Under-Deck Clamp*		
-189	Bearing Pan w/ Clips & Securing Hardware*		