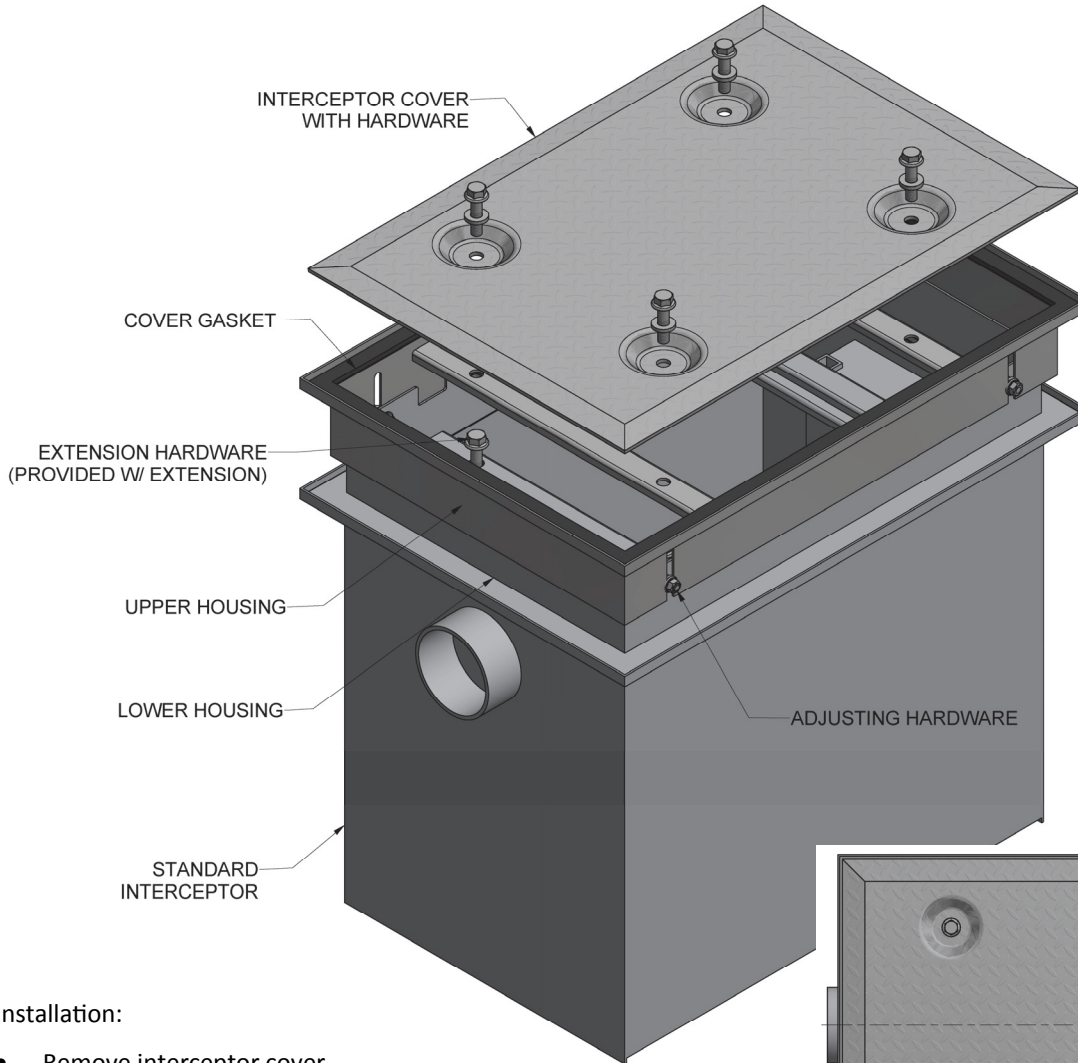


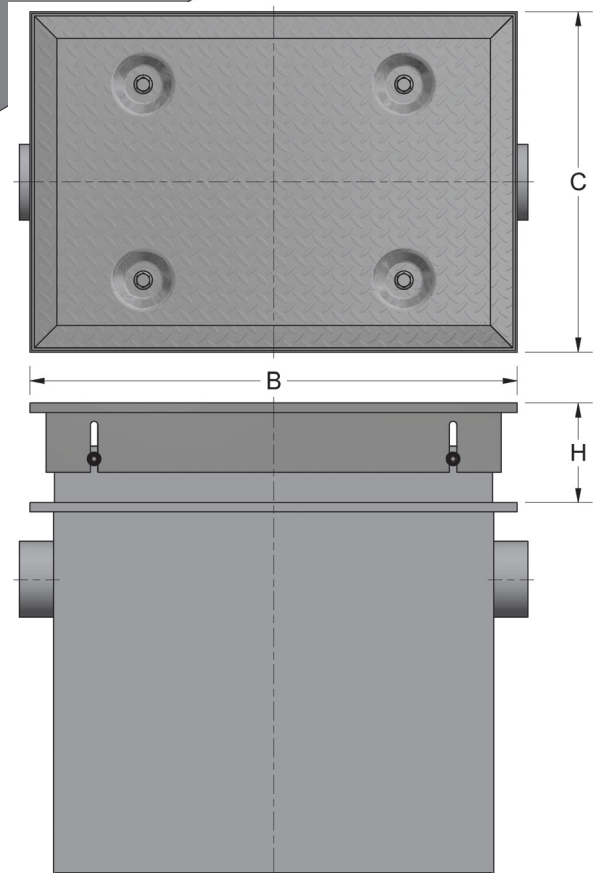
5100-AE Grease Interceptor Adjustable Extension

Regularly Furnished: Fabricated A.R.C. steel grease interceptor adjustable extension.



Installation:

- Remove interceptor cover
- Place Adjustable Extension on top of Interceptor.
- Secure with provided hardware
- Adjust Height—Loosen adjusting hardware nuts on sides and lift upper housing into desired position. Re-tighten nuts.
- Replace existing cover into extension top recess and secure with hardware from interceptor.



Size (GPM)	Capacity (Lbs)	Dimension (Inches)				●
		B	C	H		
				Min	Max	
20	40	27	18 3/4	4	6	
25	50	26	20	4	6	
35	70	28 3/4	20	4	6	
50	100	30	24	4	6	
75	150	34 5/8	30 5/8	4	6	
100	200	41 3/8	35 5/8	4	6	