

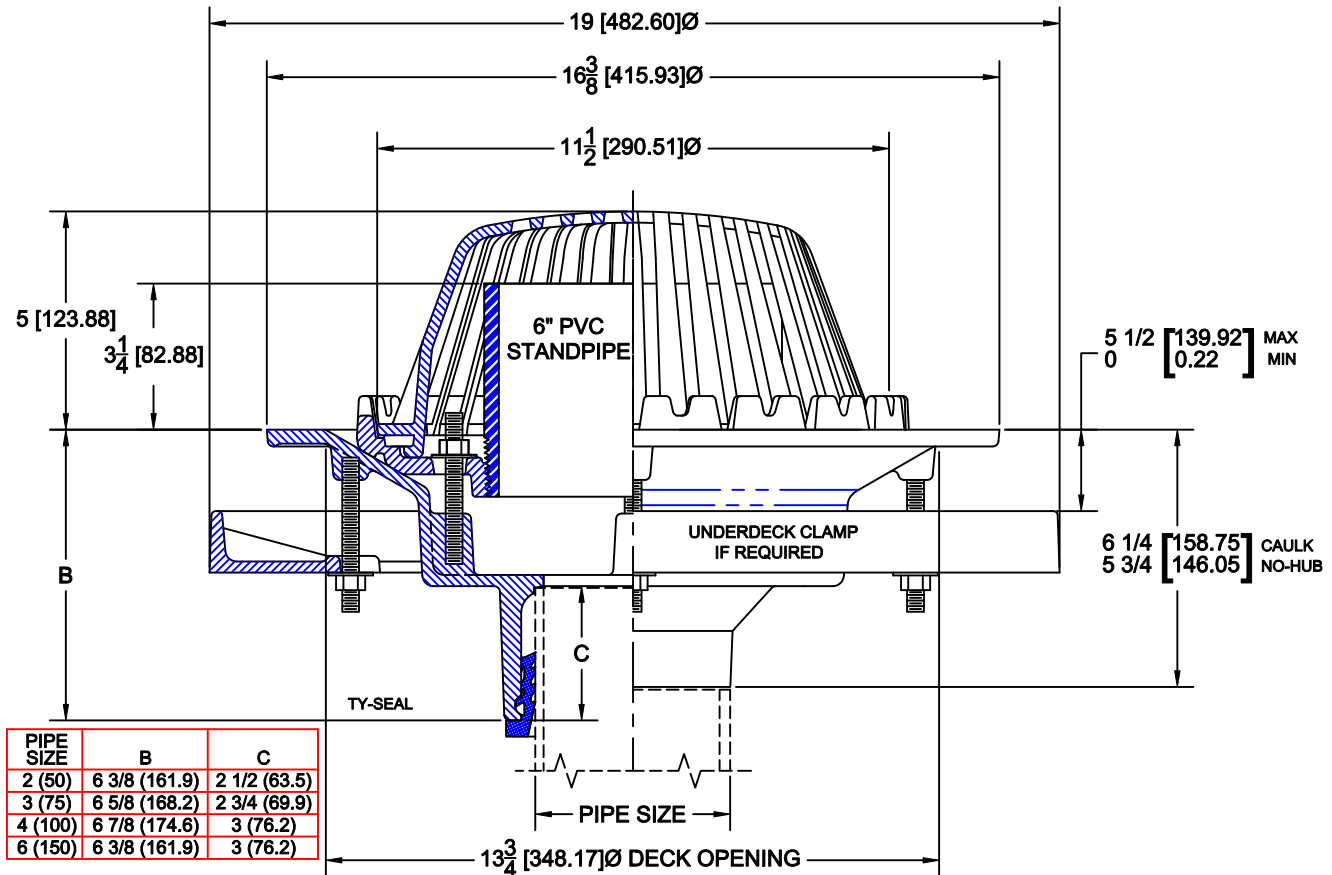
ROOF DRAIN W/ STANDPIPE



3000-SD

CAST IRON ROOF DRAIN WITH CLAMPING COLLAR INTEGRAL WITH GRAVEL STOP, POLYPROPYLENE MUSHROOM DOME, CAST IRON STANDPIPE AND BOTTOM OUTLET

CONFORMS TO ASME A112.21.2M



OPTIONS

Cat. No.	Pipe Size	Wt. Lbs.	Suffix	Description
<input type="checkbox"/> 3002-SD	2 (50)	55.0	<input type="checkbox"/> 3	ROUGH BRONZE DOME
<input type="checkbox"/> 3003-SD	3 (75)	58.0	<input type="checkbox"/> 5	VANDAL PROOF
<input type="checkbox"/> 3004-SD	4 (100)	59.0	<input type="checkbox"/> 39	GALVANIZED IRON PARTS
<input type="checkbox"/> 3005-SD	5 (125)	60.0	<input type="checkbox"/> 42	CAST IRON DOME
<input type="checkbox"/> 3006-SD	6 (150)	62.0	<input type="checkbox"/> 46	ALUMINUM DOME
<input type="checkbox"/> 3008-SD *	8 (200)	60.0	<input type="checkbox"/> 52	BEARING PAN
			<input type="checkbox"/> 53	UNDERDECK CLAMP

OUTLETS * Note: Confirm with Engineer if 8" Pipe Size Drain is acceptable w/ 6" Standpipe.

<input type="checkbox"/> NH NO-HUB	<input type="checkbox"/> TY TY-SEAL (2,3,4")	<input type="checkbox"/> IC INSIDE CAULK	<input type="checkbox"/> IPS THREADED
------------------------------------	--	--	---------------------------------------

AutoCad.dwg