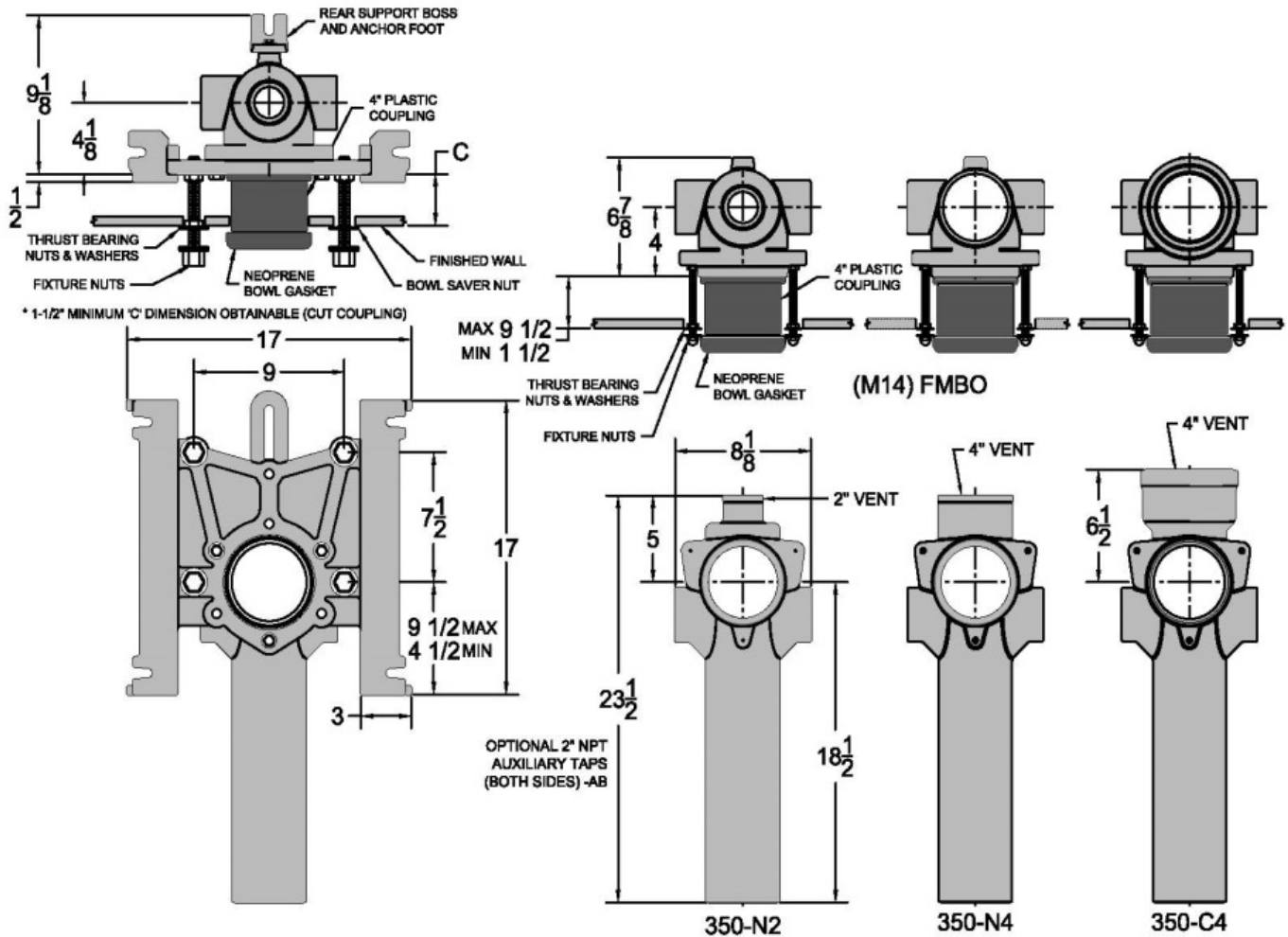


350 Vertical, Fixed Water Closet Support

Project	Engineer	Mechanical
---------	----------	------------



Regularly Furnished: Vertical water closet carrier with floor mounted foot support, rear anchor, 7" ABS coupling, rear anchor support, & faceplate.

•	Model	Connection Type	Regularly Furnished	Pipe Size	Vent Size
	350-C4	Hub & Spigot	\$ 1101.00	4"	4"
	350-N2	No-Hub	1073.00		2"
	350-N4				4"

Faceplate Variations		•
Suffix	Description	
-HD	Heavy Duty (500 Lb Rating)	
-XH	Extra Heavy Duty (750 Lb Rating)	
-XB	Bariatric (1,000 Lb Rating)	
Suffix Options		•
-AM1	Flush Valve Support	
-AM21	Tiling Frame	
-ECC	Longer Coupling & Hardware (Per In.)	
-M3	Vandal Proof Hardware	
-M4	Rod Support Feet (Req'd for -ECC)	

Suffix Options		•
Suffix	Description	
-JJ	Dual 2" Female Thread Auxiliary Inlets	
-JL	2" Female Thread Left Hand Auxiliary Inlet	
-JR	2" Female Thread Right Hand Auxiliary Inlet	
-M14	FMBO Fitting Only *	
-M15	FMBO w/ Fitting Support *	

*Dimensions vary from illustration