

Floor Sinks - Square

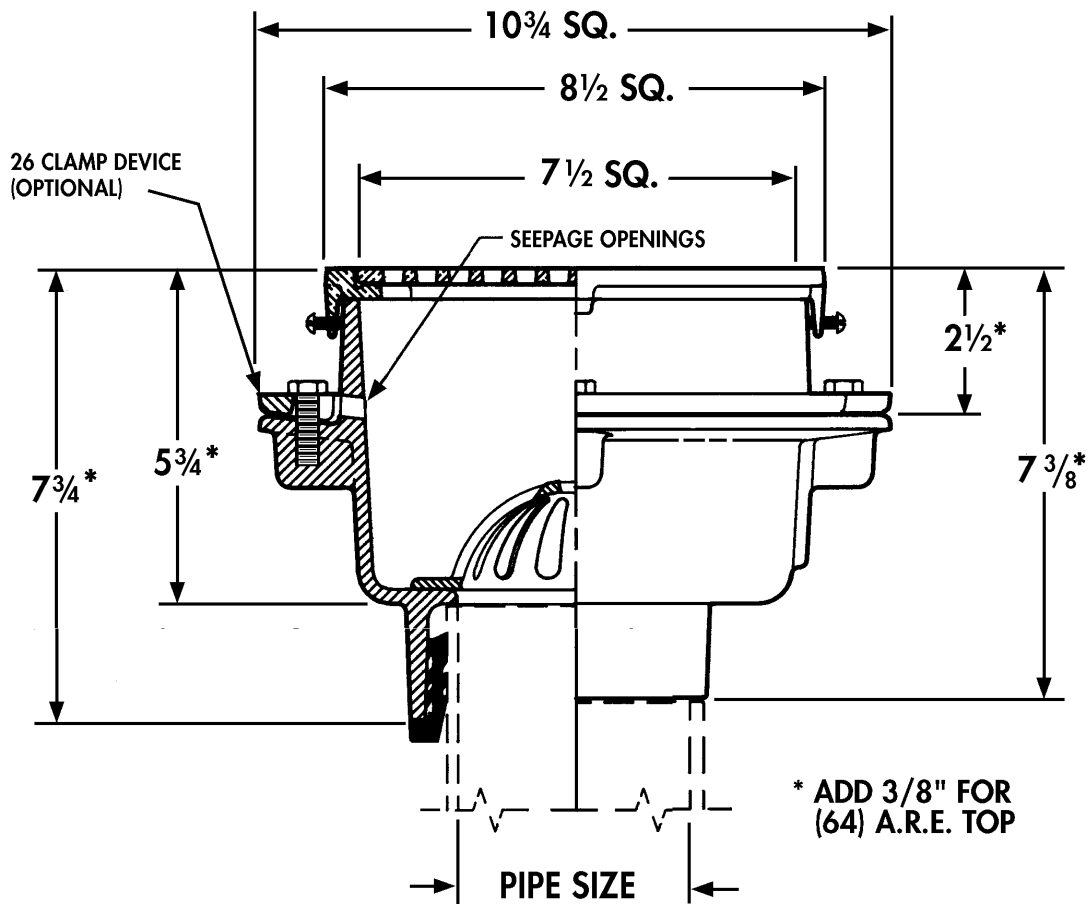
WADE

9110 (8x8-6)

Cast iron 8" square floor sink with 6" sump, A.R.E. interior, aluminum dome strainer and nickel bronze top. Seepage flange standard.

ANSI Load Rating - Light Duty (Under 2,000 lbs.)

Grate Free Area - 16.0 Sq. In. (Nickel Bronze), 19.0 Sq. In. (A.R.E.)



* ADD 3/8" FOR (64) A.R.E. TOP

Cat. No.	Pipe Size	Wt. Lbs.
<input type="checkbox"/> 9112	2	25
<input type="checkbox"/> 9113	3	25
<input type="checkbox"/> 9114	4	25

OUTLET

- TY Ty-Seal
- NH ... No-Hub (3", 4")
- IC Inside Caulk (3", 4")

OPTIONS

Suffix	Description
<input type="checkbox"/> 6	Trap Primer 1/2-in. tap
<input type="checkbox"/> 15	1/2 Grate
<input type="checkbox"/> 16	3/4 Grate
<input type="checkbox"/> 26	Clamp Device
<input type="checkbox"/> 27	Aluminum Sediment Bucket
<input type="checkbox"/> 64	A.R.E. Cast Iron Top

FUNNELS

Suffix	Description
<input type="checkbox"/> EF4	4" Dia. NB Funnel
<input type="checkbox"/> EF6	6" Dia. NB Funnel
<input type="checkbox"/> EG6	2-1/2x6" NB Elongated Funnel
<input type="checkbox"/> EFG8	3-1/2x8-1/4" NB Elongated Funnel