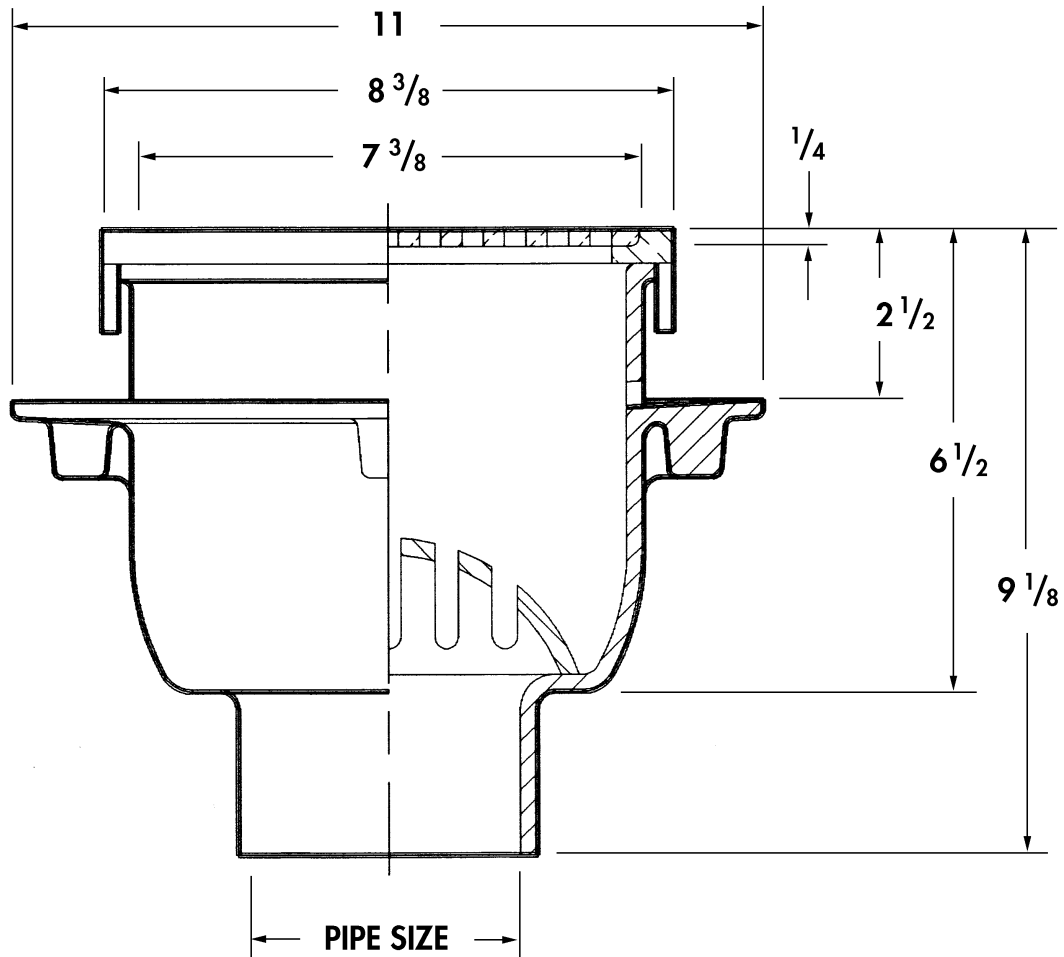


# Floor Sinks - Round

**WADE**

## 9010 (8x6)

Cast iron 8" round floor sink with 6" sump, A.R.E. interior, aluminum dome strainer and nickel bronze top.



### OPTIONS

Suffix	Description
<input type="checkbox"/> 26	..... Clamp Device
<input type="checkbox"/> 27	..... Sediment Bucket (Aluminum)

Cat. No.	Pipe Size	ANSI* Top Load Class	Flow Rate (GPM)	Free Area Sq. In.	Wt. Lbs.
<input type="checkbox"/> 9012	2	LD	30	18.3	15
<input type="checkbox"/> <b>9013</b>	<b>3</b>	<b>LD</b>	<b>50</b>	<b>18.3</b>	<b>15</b>
<input type="checkbox"/> 9014	4	LD	80	18.3	15

\* Light Duty - Under 2000 lbs.

### OUTLET

- NH ... No-Hub
- TY ... Ty-Seal