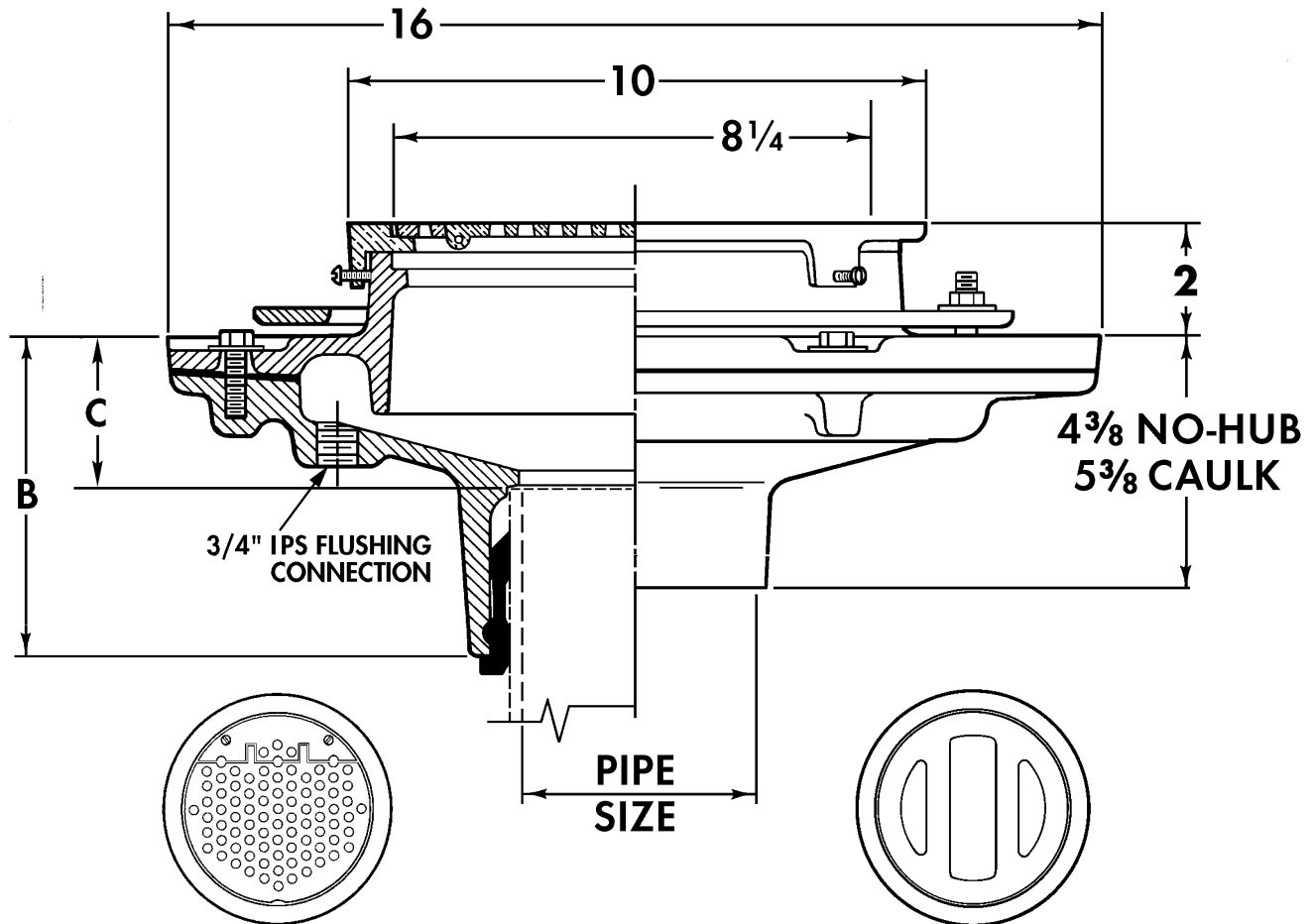


Floor Sinks - Flushing Rim

WADE

9300 Cast iron flushing rim floor sink, with flange, A.R.E. interior, flushing connection and nickel bronze secured or hinged perforated vandal proof grate.
ANSI Load Class - Light Duty (Under 2,000 lbs.)
Grate Free Area - 13.4 Sq. In. (Hinged), 19.7 Sq. In. (Fixed)



9300 (Secured VP Hinged Grate)

Cat. No.	Pipe Size	B Ty-Seal	C Ty-Seal	Flow Rate (GPM)	Wt. Lbs.
9302	2	5 3/8	2 7/8	37	53
9303	3	5 3/8	2 5/8	70	53
9304	4	5 5/8	2 5/8	102	53
9306	6	5 3/8	2 3/8	120	53

9300B (Secured VP Fixed Grate)

Cat. No.	Pipe Size	B Ty-Seal	C Ty-Seal	Flow Rate (GPM)	Wt. Lbs.
9302B	2	5 3/8	2 7/8	37	53
9303B	3	5 3/8	2 5/8	70	53
9304B	4	5 5/8	2 5/8	102	53
9306B	6	5 3/8	2 3/8	120	53

OUTLET

- TY Ty-Seal Gasket (2", 3", 4", 6")
- NH No-Hub (3", 4", 6")
- IC Inside Caulk (3", 4", 6")