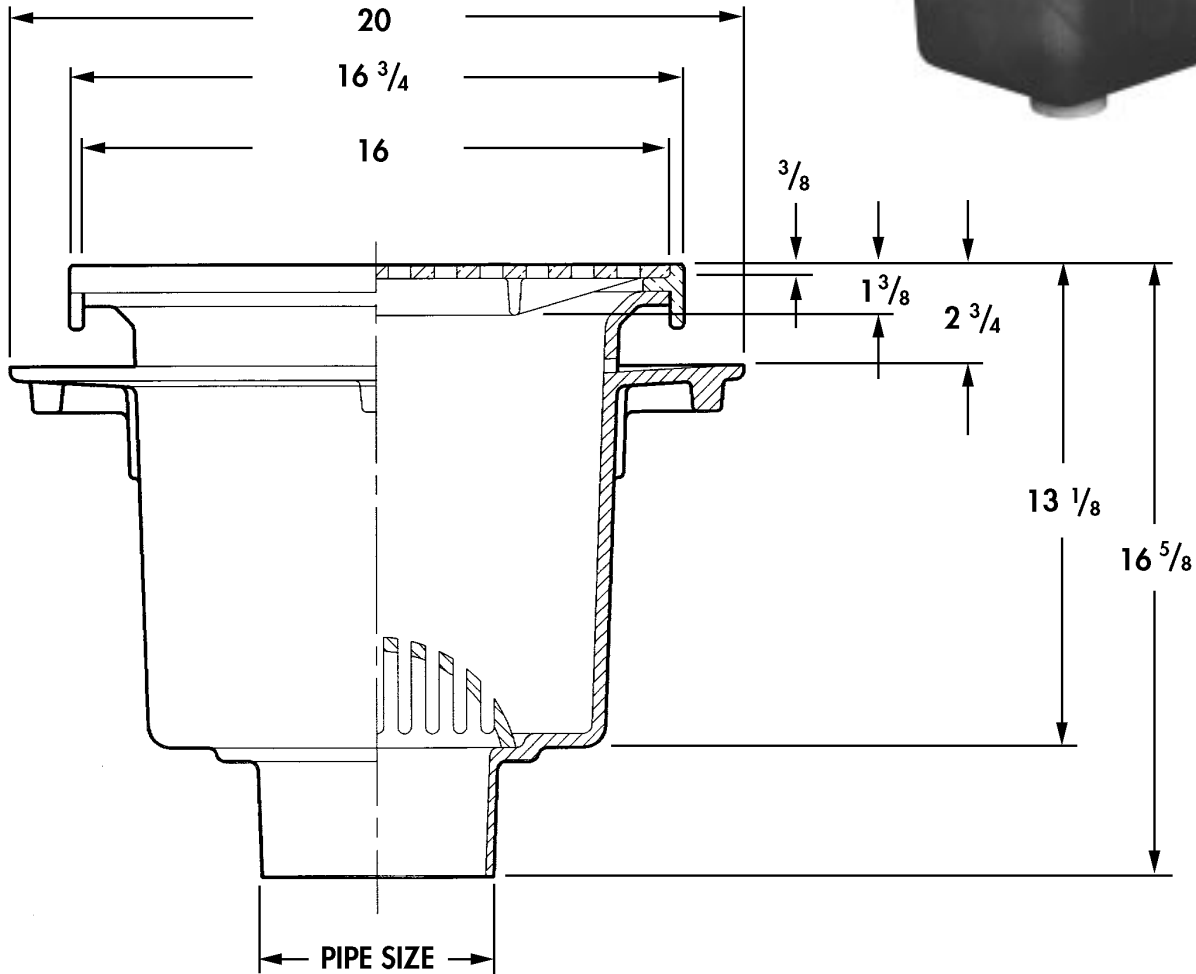


# Floor Sinks

# WADE

## 9170 (16x16-12)

Cast iron 16" square floor sink with 12" sump, A.R.E. interior, aluminum dome strainer and nickel bronze top.



Cat. No.	Pipe Size	ANSI* Top Load Class	Flow Rate (GPM)	Free Area Sq. In.	Wt. Lbs.
9174	4	LD	110	89.1	103
<b>9176</b>	<b>6</b>	<b>LD</b>	<b>156</b>	<b>89.1</b>	<b>103</b>
9178	8	LD	201	89.1	103

\* Light Duty - Under 2000 lbs.

### OUTLET

NH... No-Hub Only

### OPTIONS

Suffix	Description
<input type="checkbox"/> 1	Nickel Bronze Top
<input type="checkbox"/> 5	Vandal Proof (Standard on NB)
<input type="checkbox"/> 26	Clamp Device
<input type="checkbox"/> 27	Sediment Bucket (Aluminum)
<input type="checkbox"/> 179	Security Screws